



M.M. Rubber Industries

Leading Manufacturer of all Kind of Rubber Profiles and Gaskets



Benefits of Rubber Profiles

Widely Used in Sealing Techniques

Extreme Weather Condition (-40 c-120c)

Largely used in window and doors

Good sealing conditioni in hot and rains

MM RUBBER IND.
Gali No 10, Near Government Dispensary,
Adarsh Nagar Ballabgarh

ABOUT M.M RUBBER INDUSTRIES

Established in the year 1994, at Faridabad (Haryana, India), We, "M.M. Rubber Industries", are known as the most prominent manufacturers, exporters and suppliers of a comprehensive assortment of Rubber Profiles and Gaskets . These products include Glass Rubber Beadings, Industrial Rubber Beadings, Commercial Rubber Beading, Molded Rubbers, Rubber Beadings, Sponge Rubbers, Packed Rubber Beadings, Sponge Strips, etc. Due to our sophisticated infrastructural facility, we are able to bring forth products that are unmatched in terms of quality and durability. Our facility is further segregated into different departments such as manufacturing, quality testing, sales & marketing, etc. All these departments are equipped with all the required machines and tools that help us provide superior quality products to our esteemed clients within the specified time frame. To handle our production facility in an efficient and hassle free manner, a team of dexterous professionals has been appointed by us. Our team members are highly knowledgeable and well- aware with the market' trends that help us manufacture our product range as per the international quality norms.

INFRASTRUCTURE

We have constructed the state-of-the-art infrastructure that is well-equipped with all the required amenities and machinery required for the manufacturing of our offered product range. Our infrastructure is built over wide area that assists us in manufacturing, exporting and supplying the bulk amount of products. We have divided our infrastructure into different integrated units like manufacturing, quality control, sales & marketing, etc. for smooth business operations and higher efficiency. Machines that are installed at our fabrication unit are upgraded by our professionals at regular time intervals.

OUR TEAM

Our sales Team is lead by Our Marketing Director Mr. Sumit Batra, While all the Operation and Office work is managed by his Father Mr. Batra.


WHY M.M RUBBER INDUSTRIES

M.M. Rubber Industries have emerged as one of the leading manufacturers, exporters and suppliers of wide gamut of Rubber Products. These are of optimum quality and broadly used in various industrial applications. We have constantly met the increasing demands of our customers and are highly preferred by them due to following reasons:

- Qualified and experienced professionals
- State-of-the-art infrastructure
- Quality products
- Ethical business practices
- Timely delivery
- Extensive industry experience
- Reasonable prices
- Customers' specifications preferred



Our Test Certificate



M.m. Rubber Industries
All leading Manufacturer of all Kind of Rubber Profiles and Gaskets

Ref. No. Date

MATERIAL TEST REPORT

THIS IS TO CERTIFY THAT THE MATERIAL ... TESTED AS UNDER :

PART NAME: EPDM RUBBER GASKET

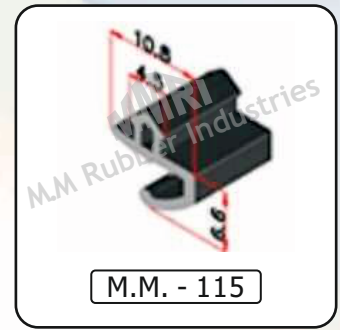
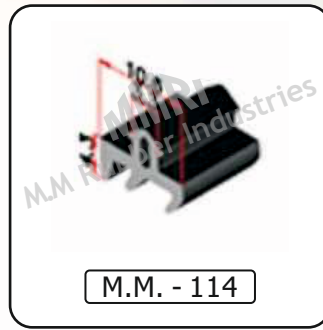
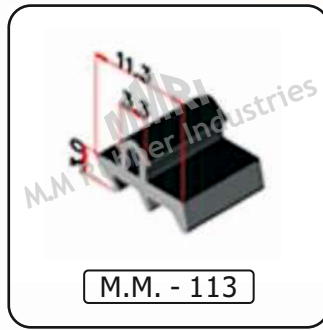
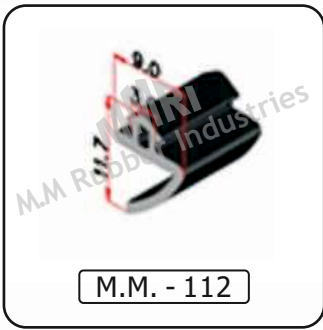
ITEM	MATERIAL	SPECIFIED	TEST RESULTS
1.0	MATERIAL	EPDM	EPDM
2.0	WATER ABSORPTION (%)	4 MAX	0.8
2.1	HARDNESS (SHORE-A)	60±5	62
2.2	TENSILE STRENGTH (MPA)	9 MIN	10.55 MPa
2.3	ELONGATION AT BREAKING POINT (%)	300	455
2.4	TEAR STRENGTH KN/M	26.20	35.20
3.0	OZONE RESISTANCE	NO CRACK	NO CRACK

WE CONFIRM THAT ABOVE MATERIAL MEETS TO IS 11149 SPECIFICATION
 TYPE- II CLASS 2A

M.m. Rubber Industries
 AUTHORISED SIGNATORY

Raghuber Colony, Gali No-8, Sihi Gate, Near Sector-2,
 Ballabhgarh, Ballabhgarh Sector 2, Faridabad - 121004, Haryana, India

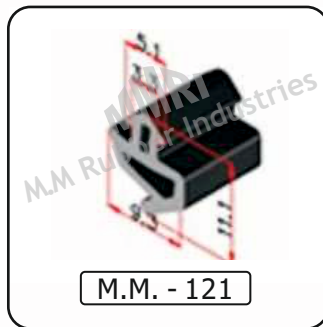
LESSO PROFILES



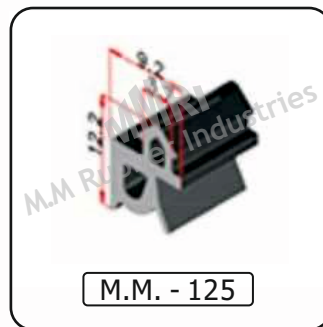
VEKA PROFILES



KOMMERLING PROFILES



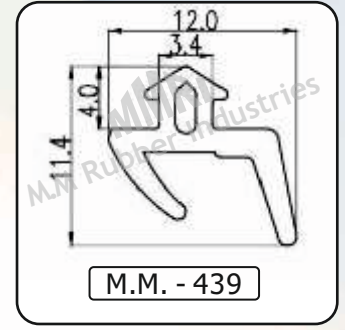
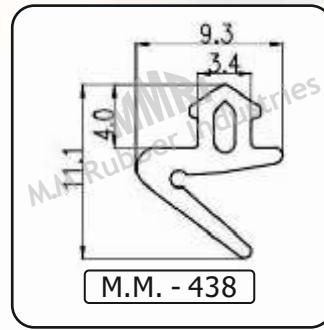
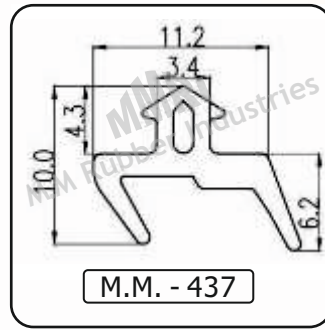
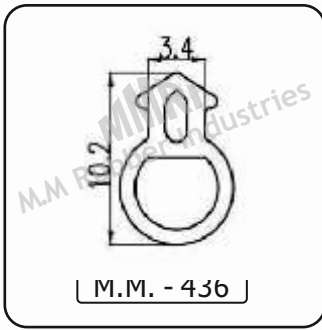
REHAU PROFILES



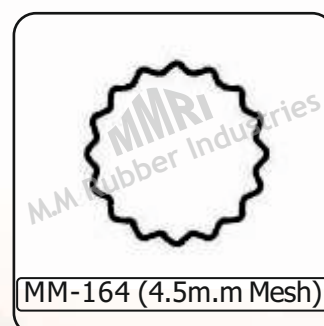
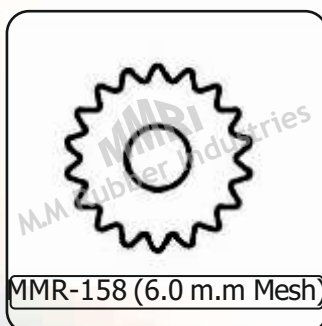
LG PROFILES

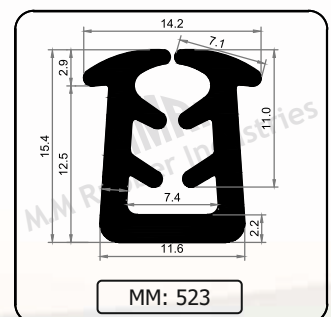
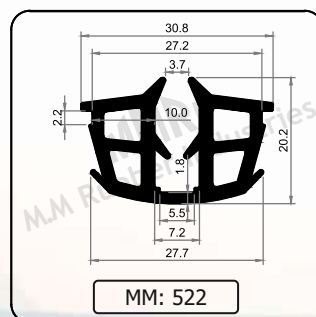
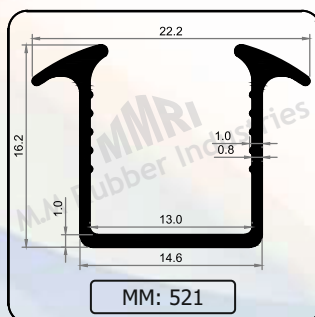
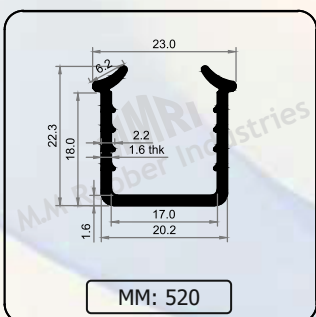
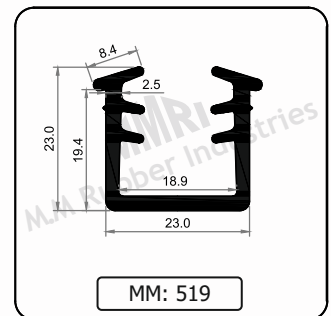
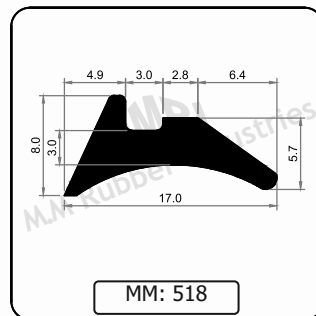
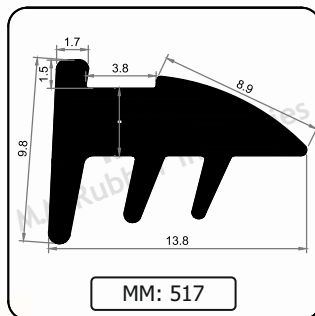
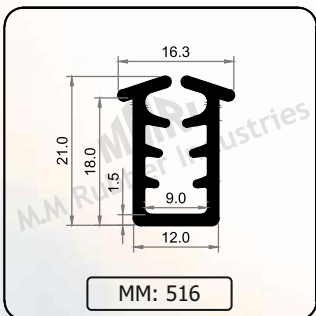
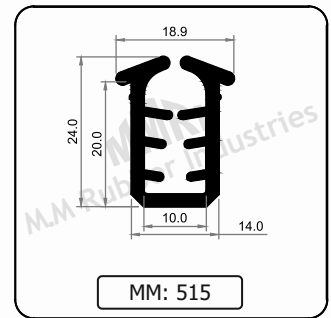
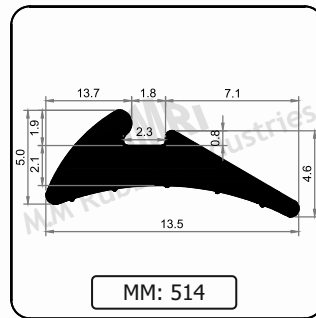
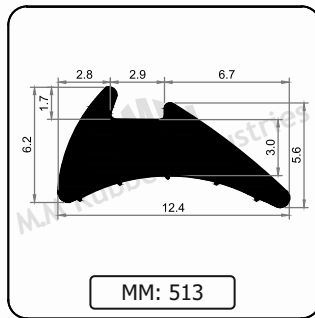
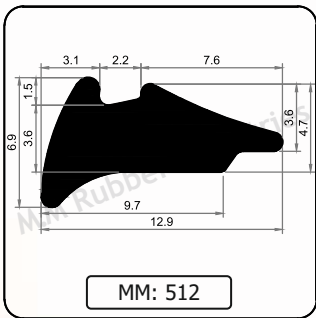
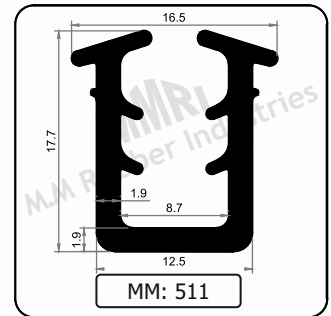
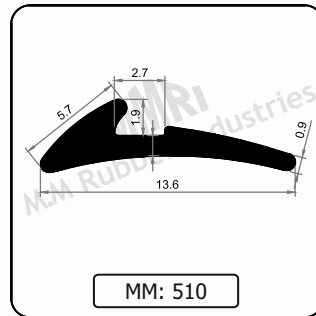
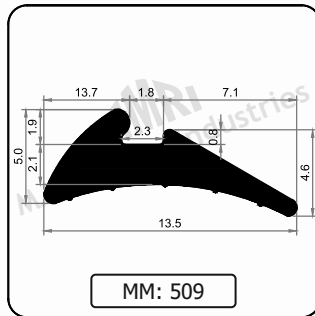
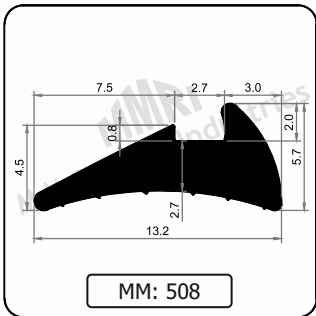
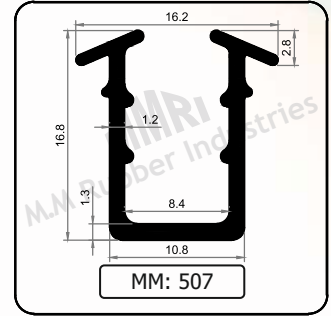
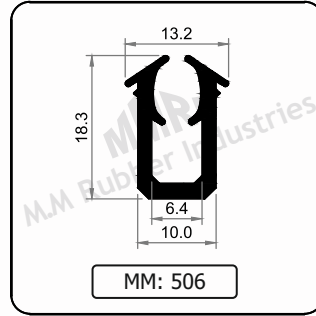
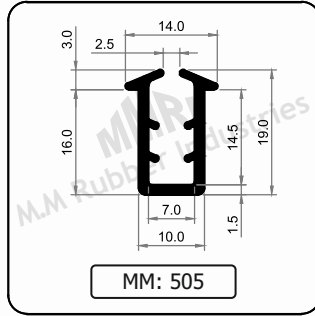
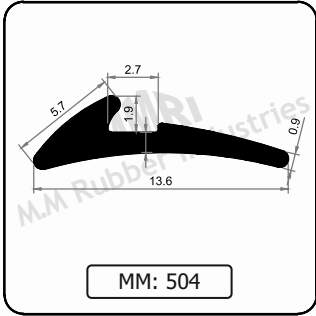
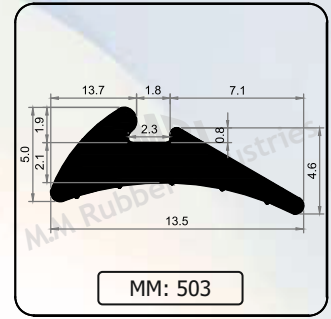
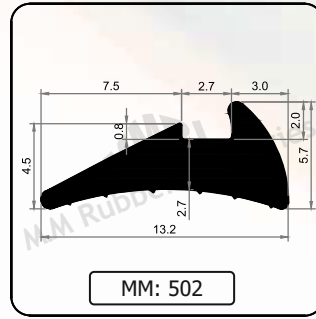
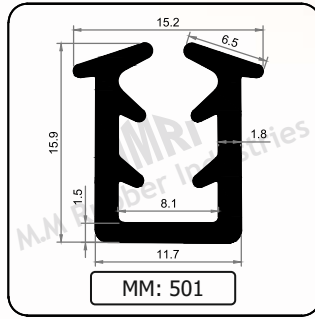
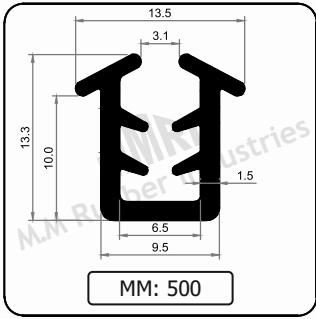


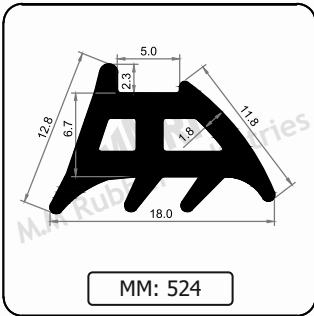
Kinbon Profile



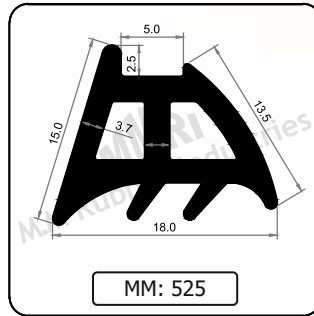
Different Type of Mesh Rubbers



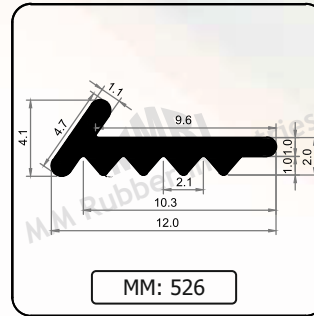




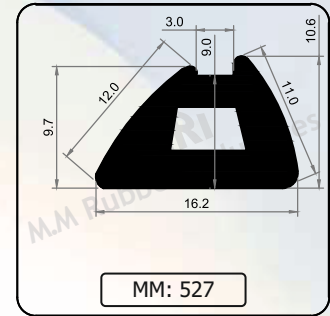
MM: 524



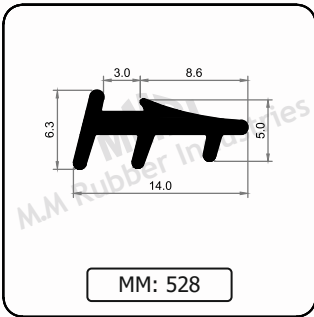
MM: 525



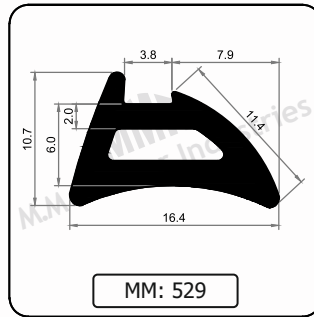
MM: 526



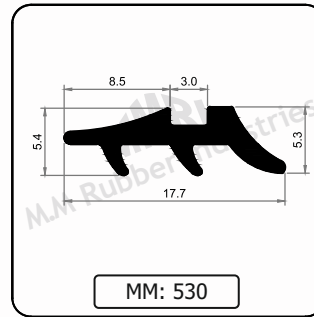
MM: 527



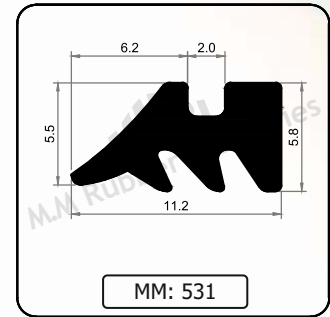
MM: 528



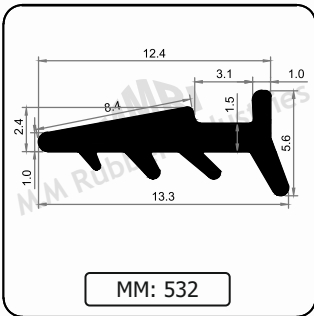
MM: 529



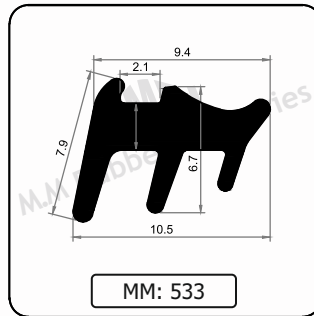
MM: 530



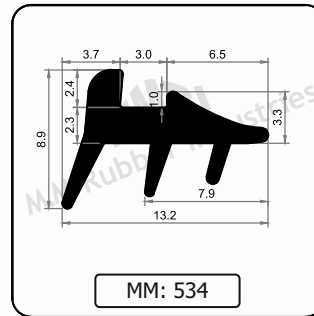
MM: 531



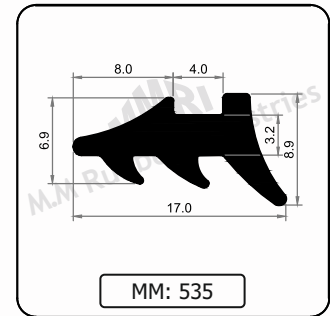
MM: 532



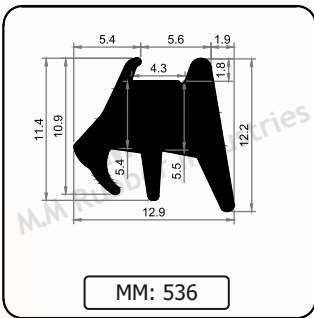
MM: 533



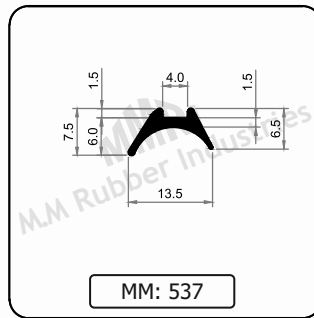
MM: 534



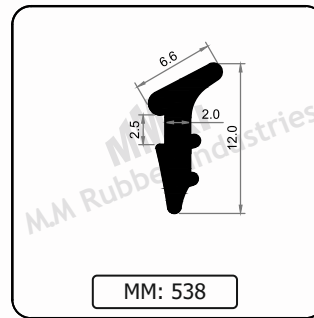
MM: 535



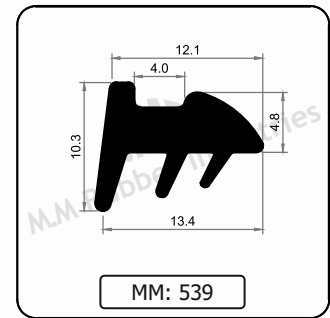
MM: 536



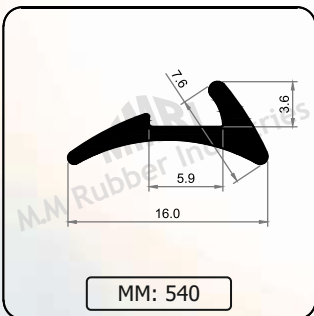
MM: 537



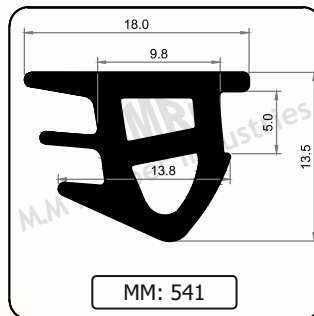
MM: 538



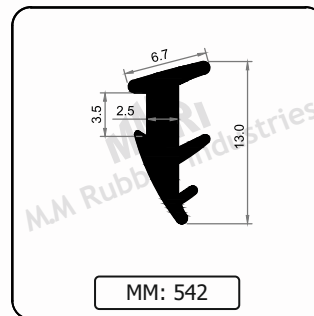
MM: 539



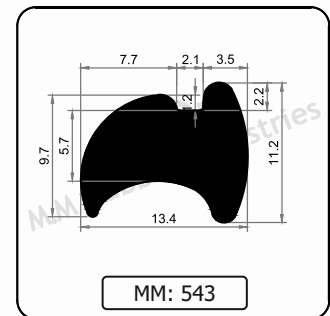
MM: 540



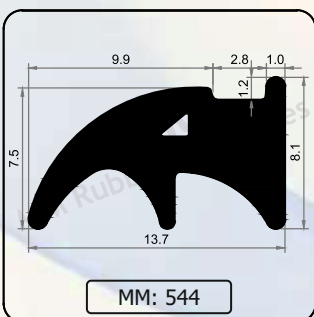
MM: 541



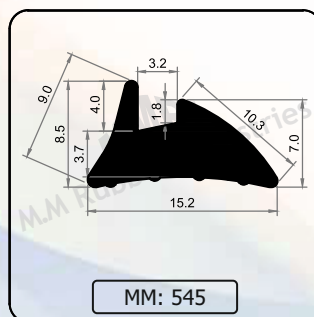
MM: 542



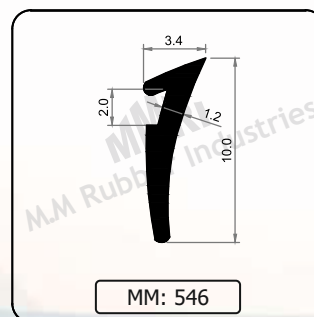
MM: 543



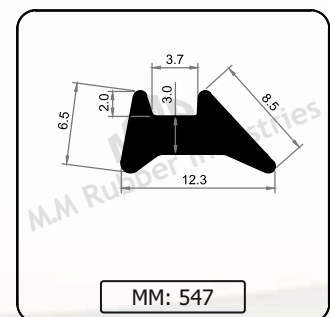
MM: 544



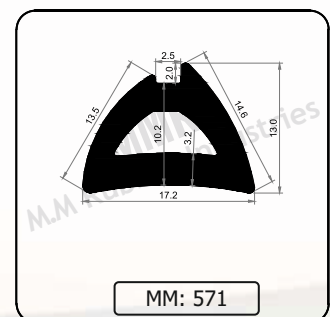
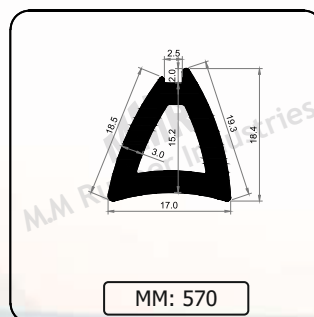
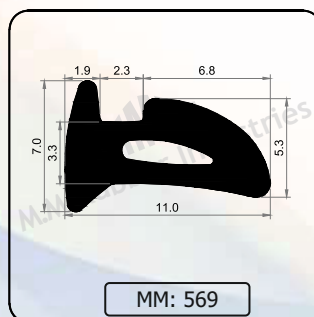
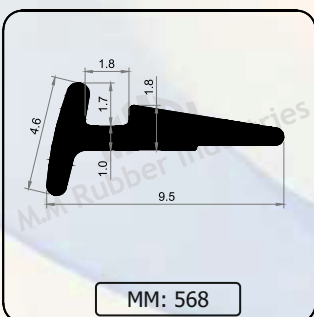
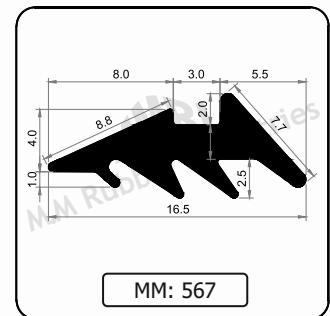
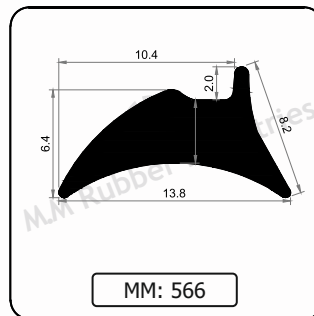
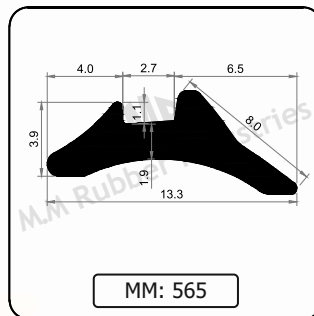
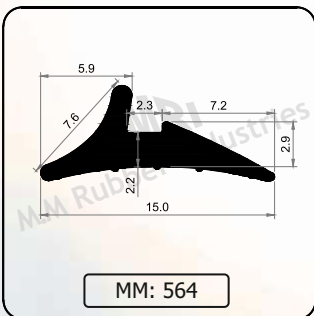
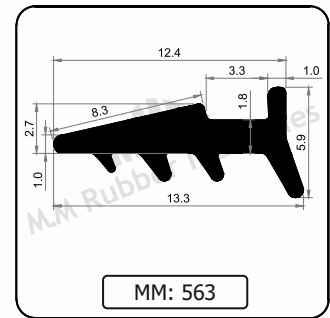
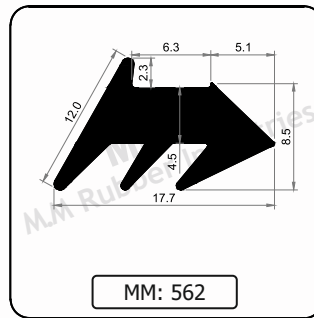
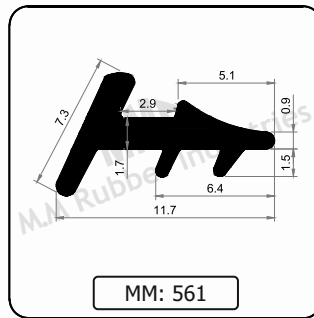
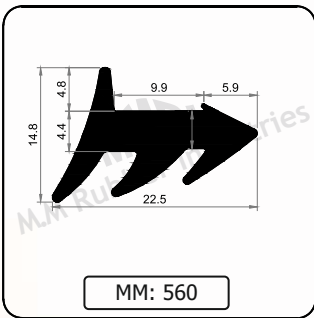
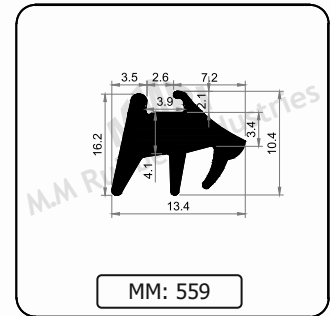
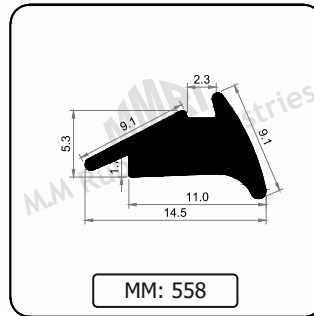
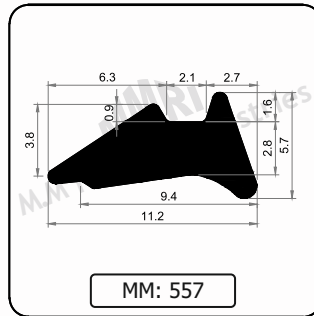
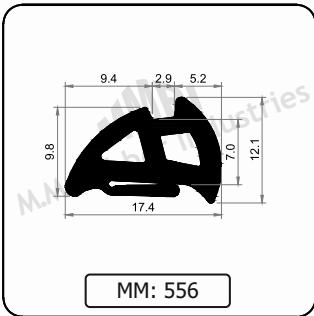
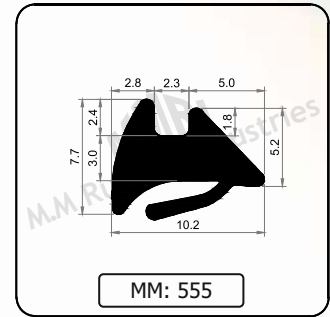
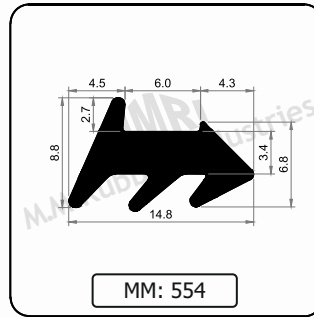
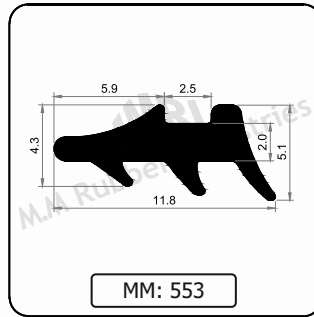
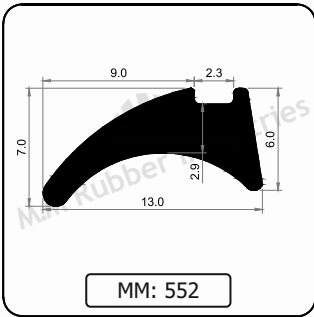
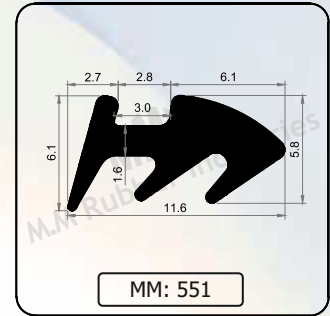
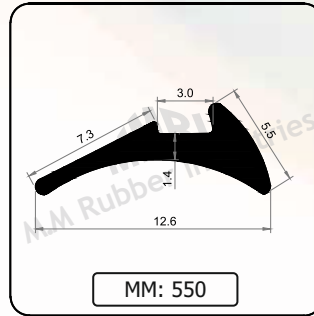
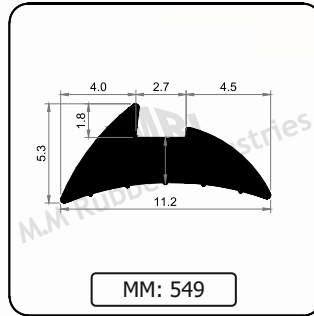
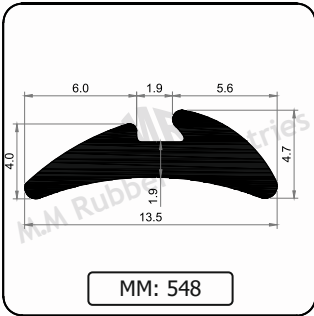
MM: 545

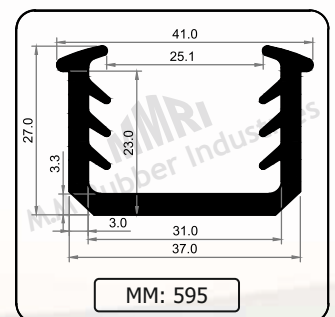
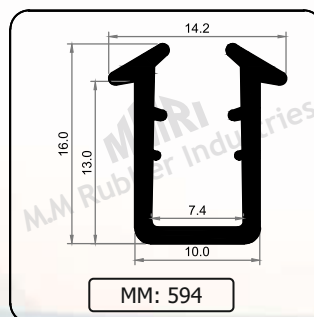
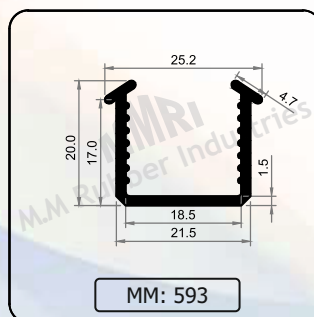
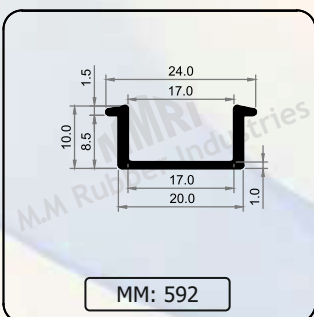
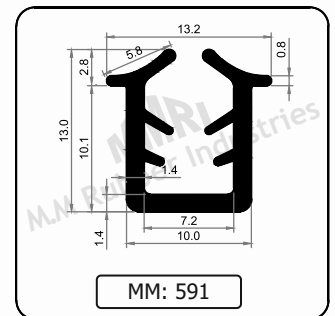
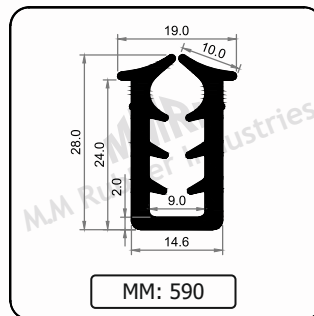
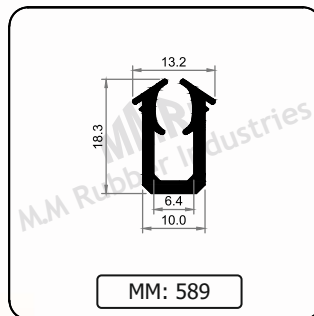
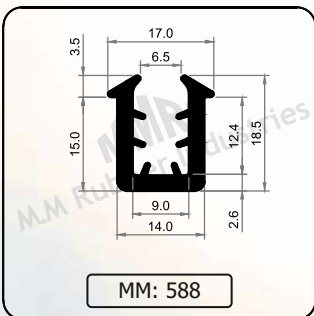
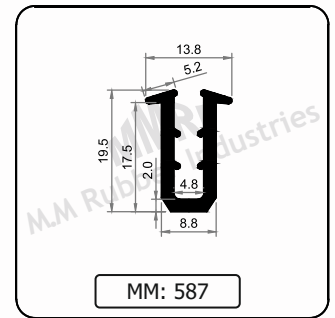
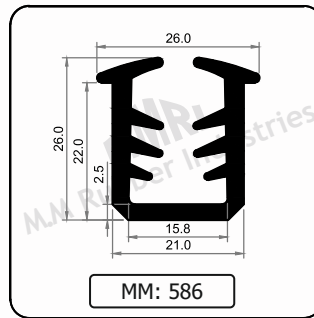
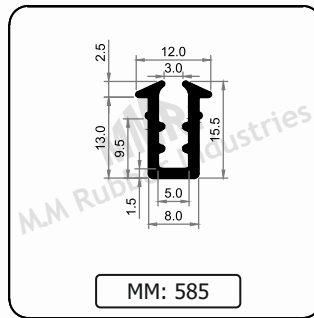
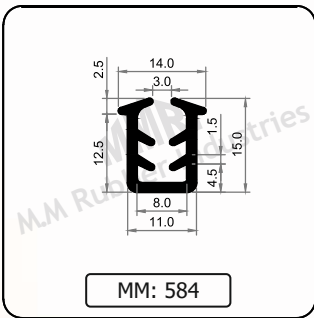
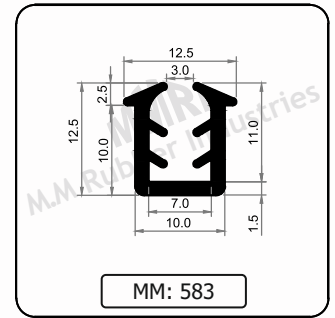
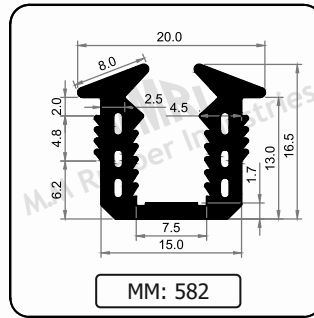
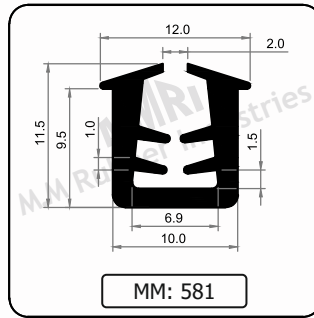
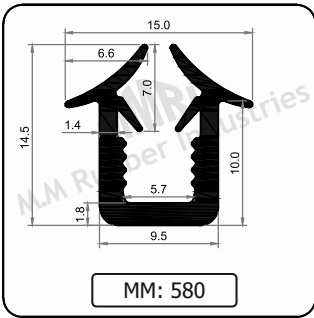
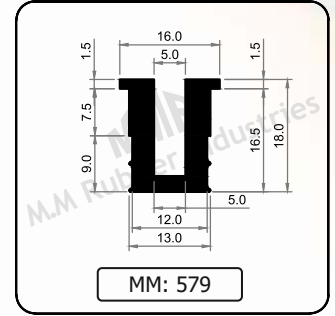
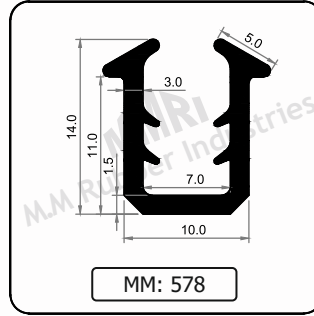
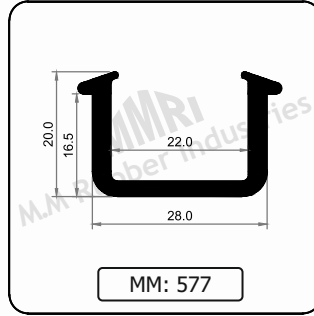
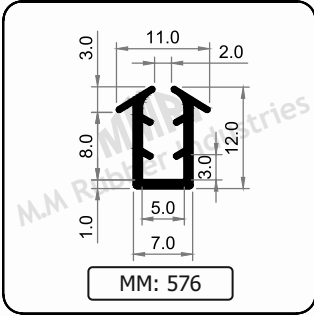
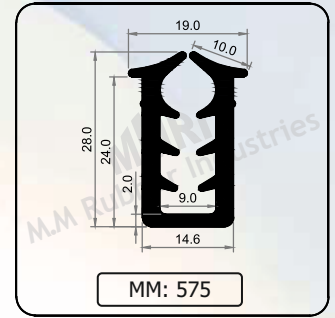
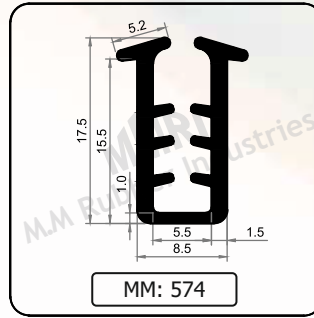
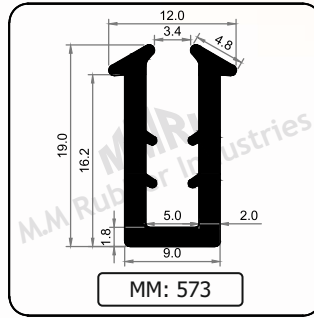
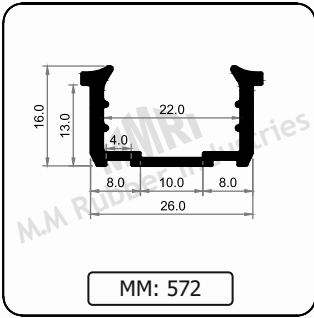


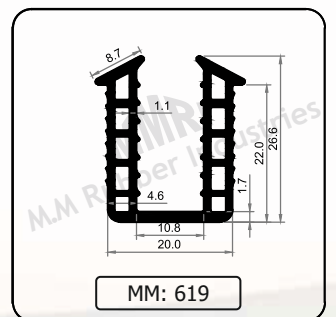
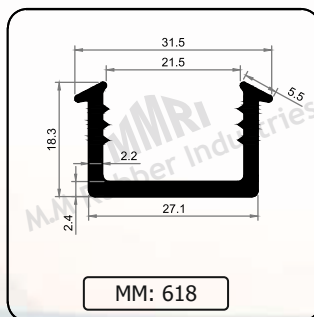
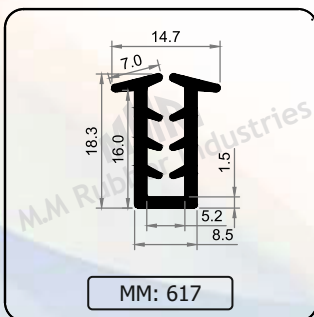
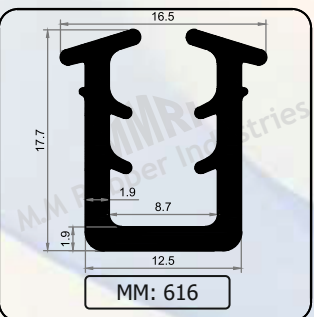
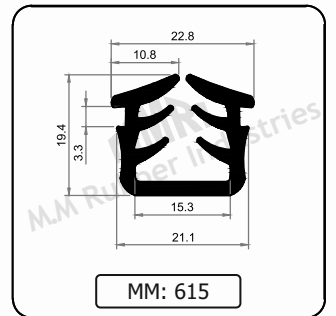
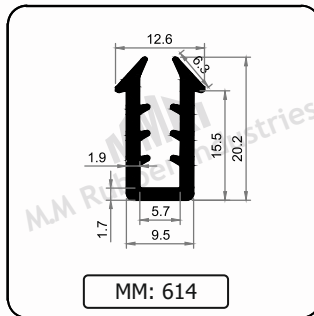
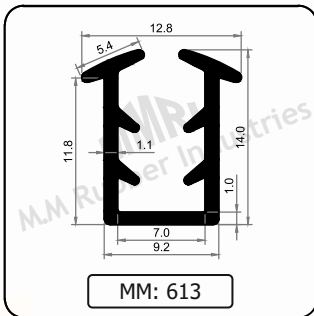
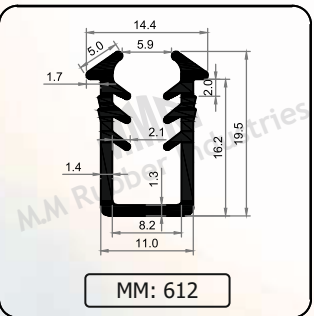
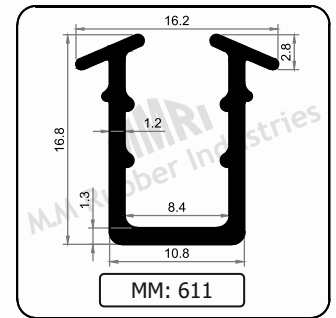
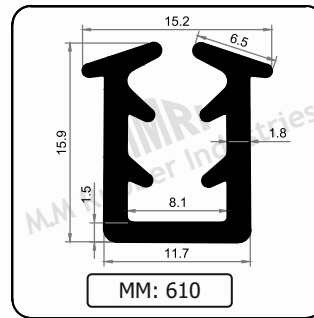
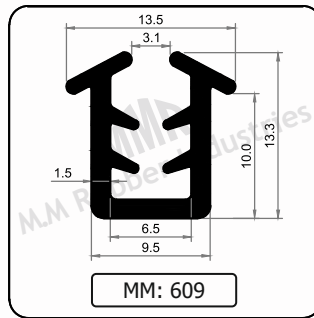
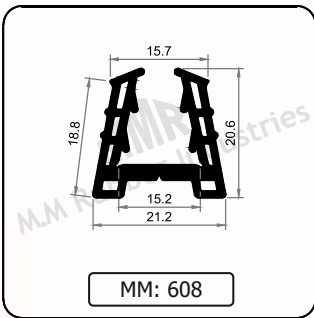
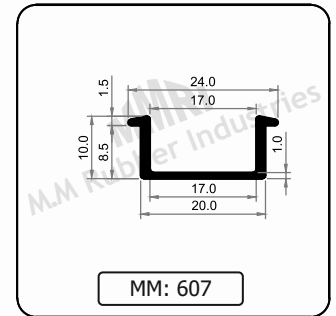
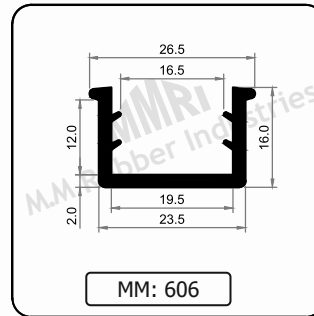
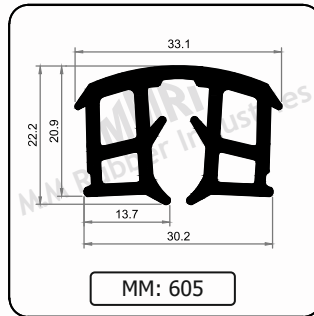
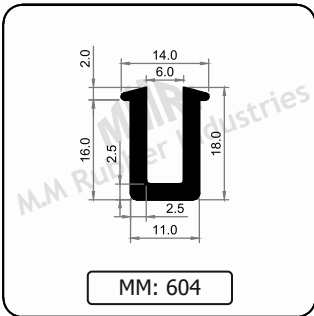
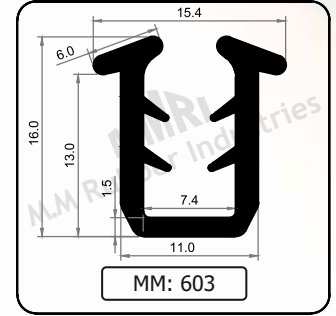
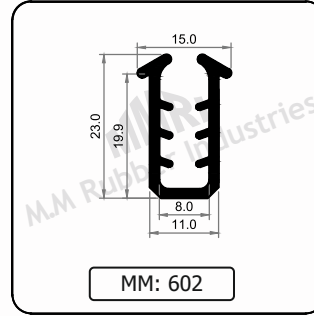
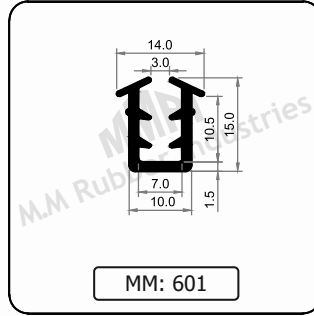
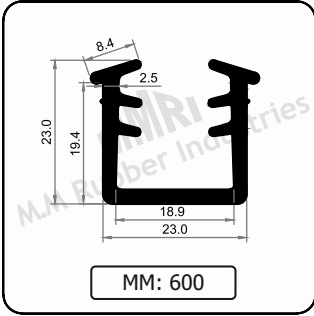
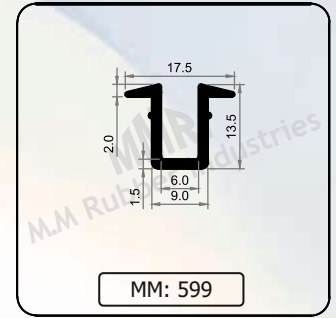
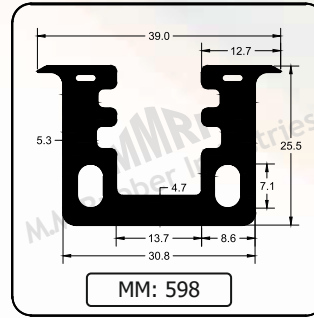
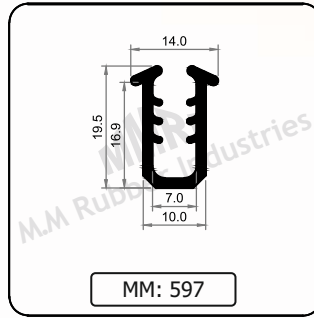
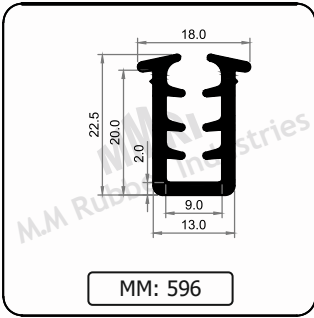
MM: 546

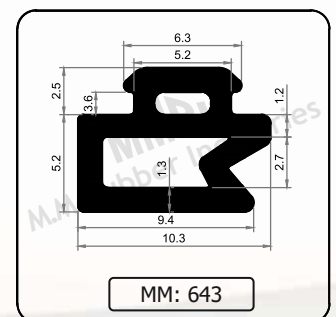
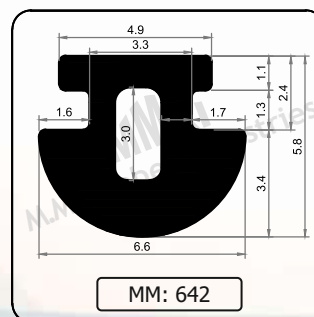
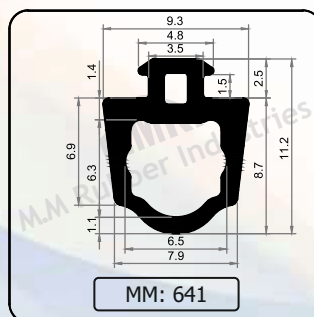
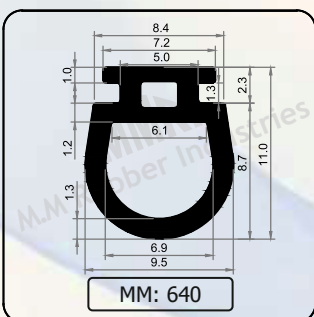
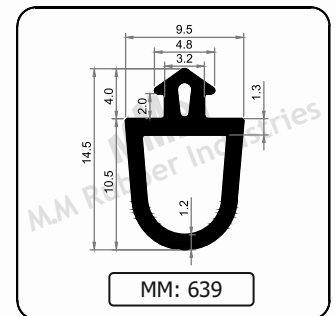
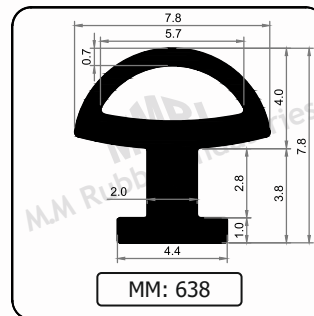
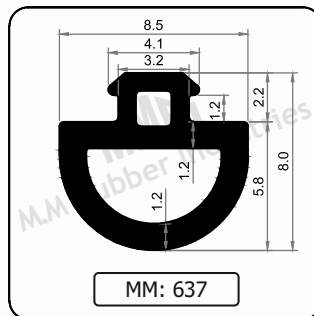
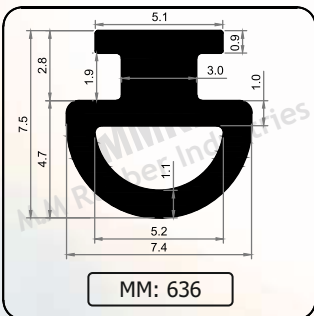
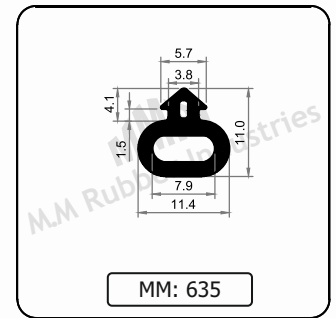
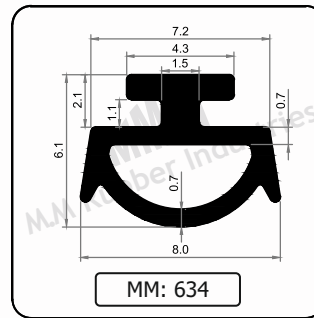
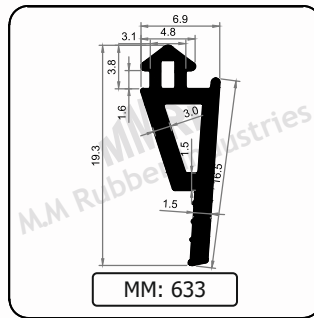
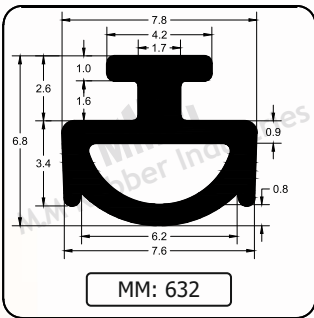
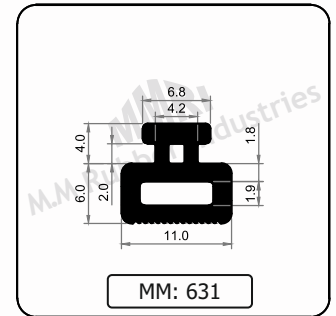
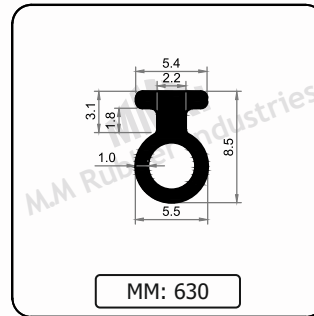
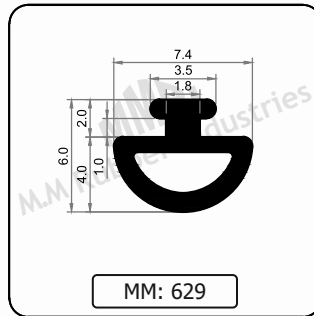
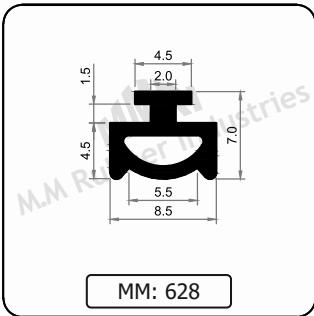
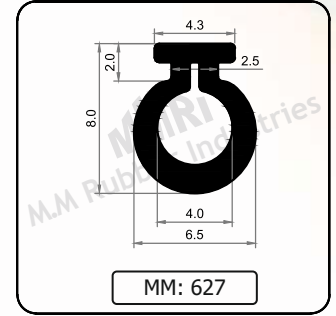
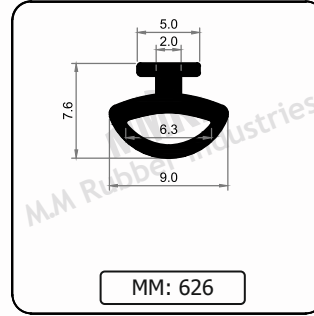
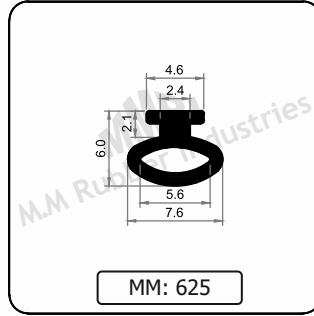
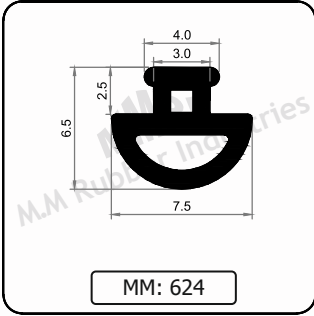
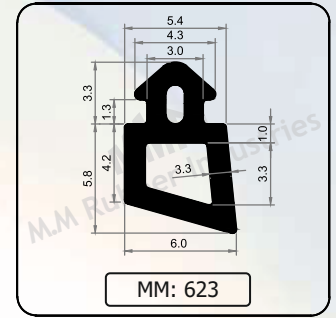
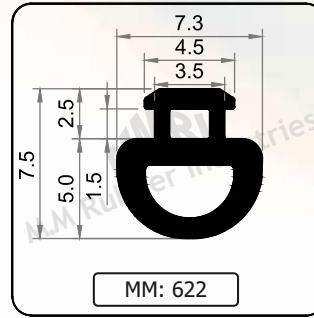
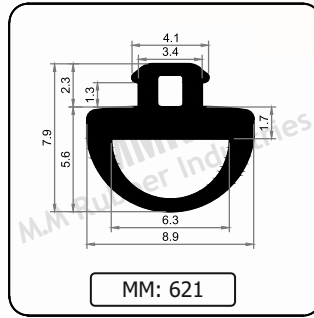
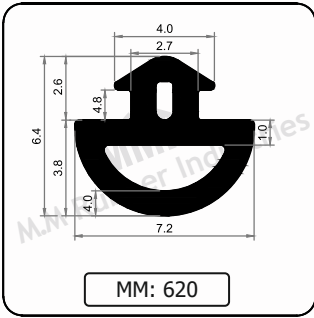


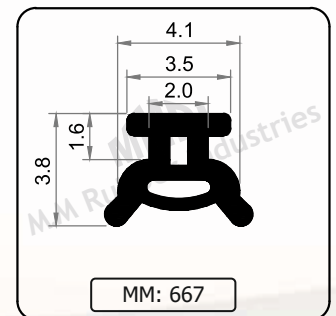
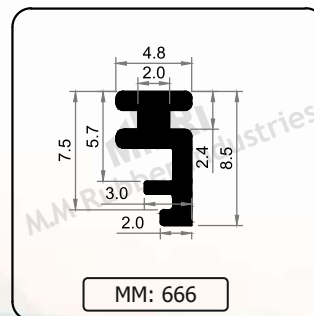
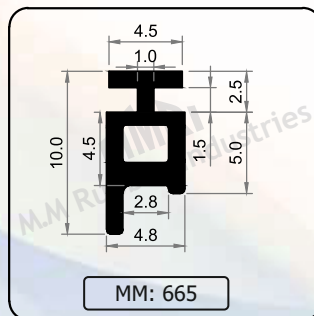
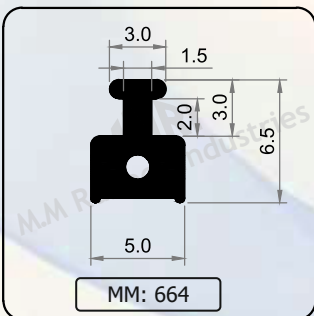
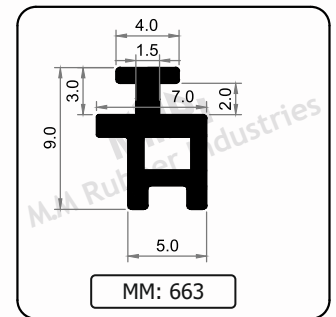
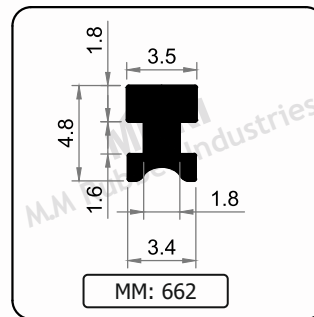
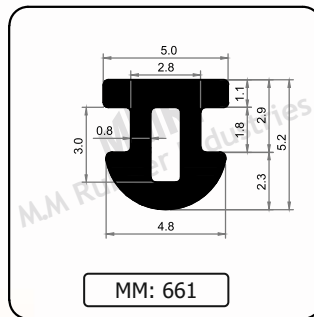
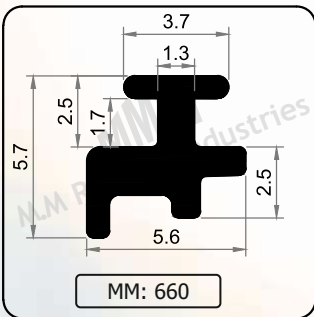
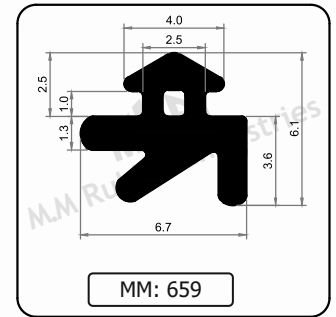
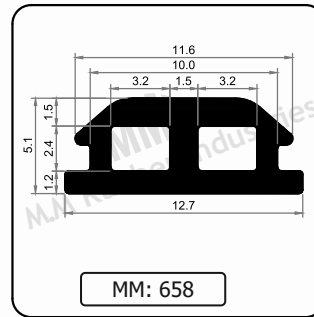
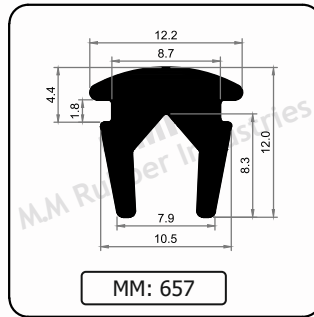
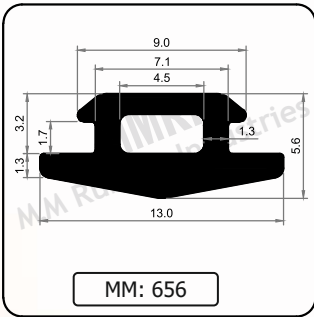
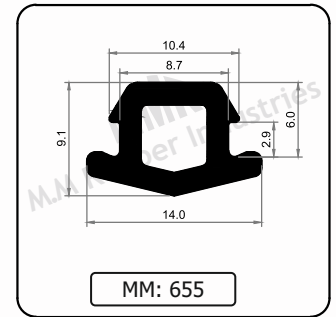
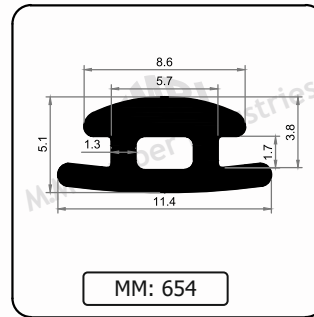
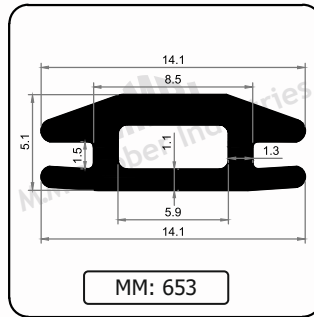
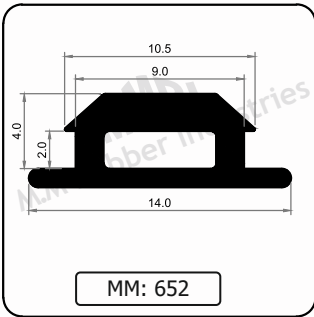
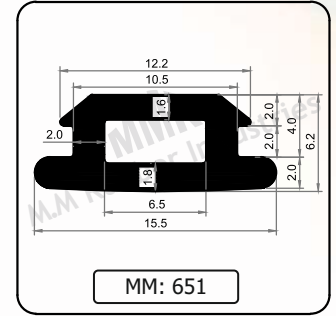
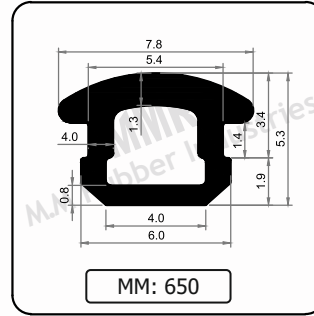
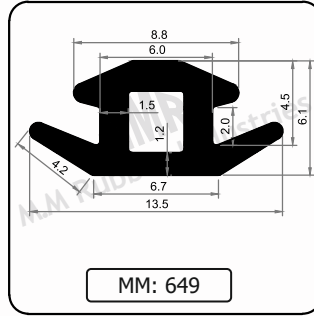
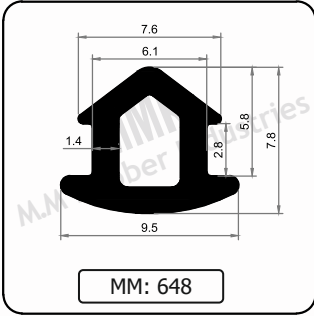
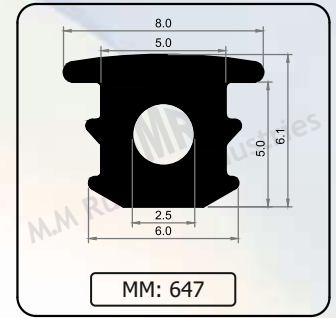
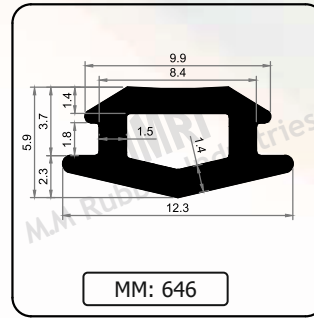
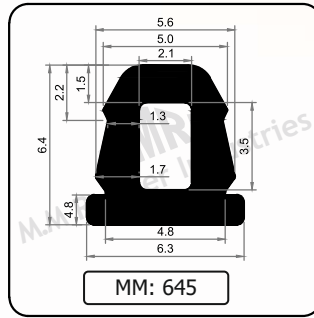
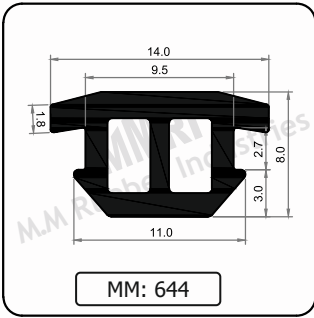
MM: 547

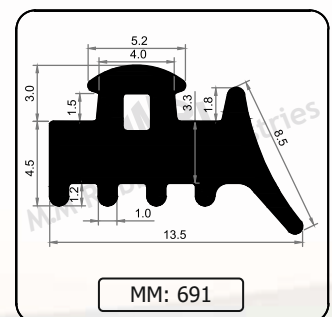
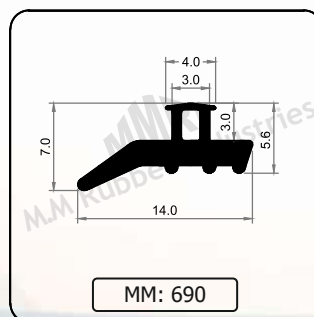
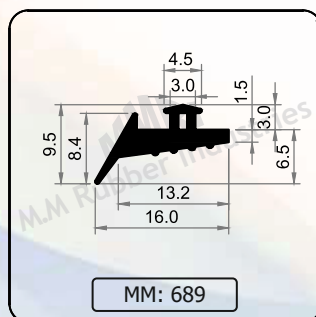
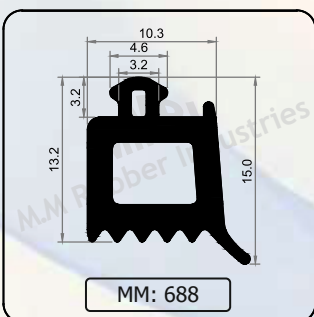
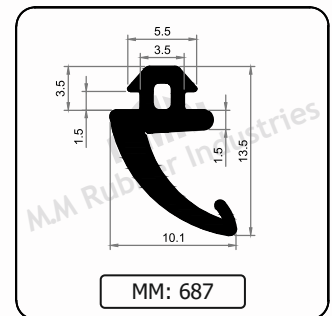
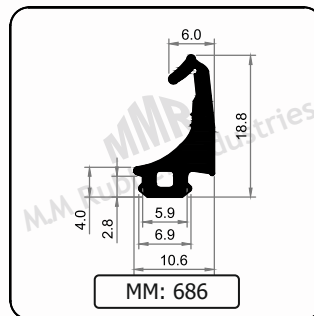
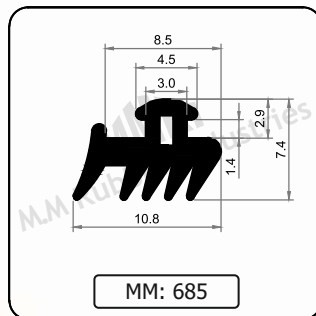
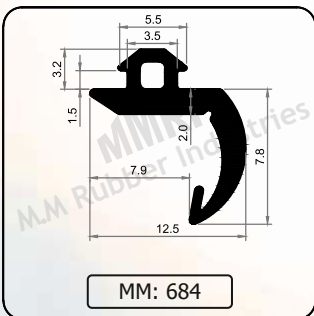
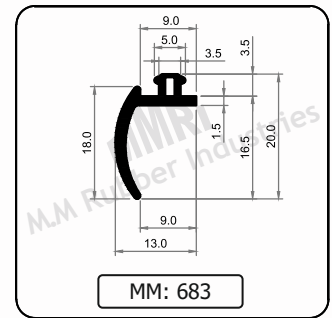
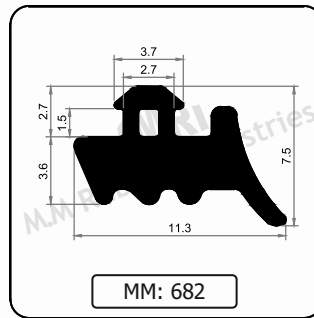
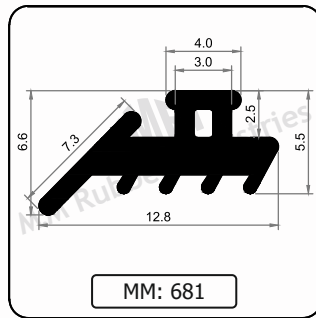
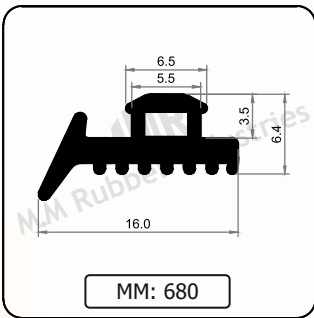
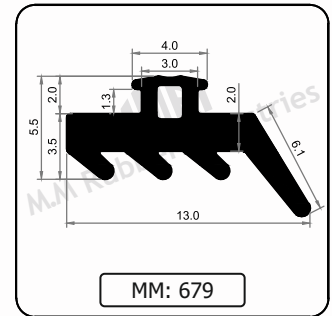
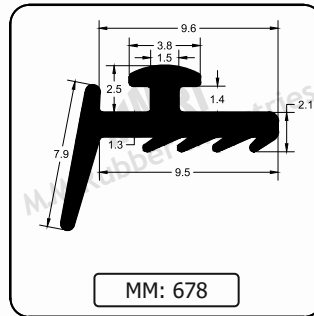
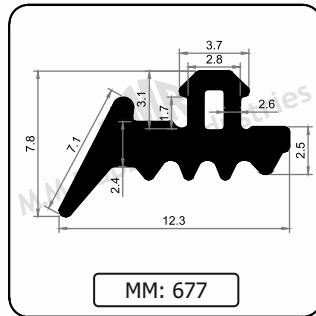
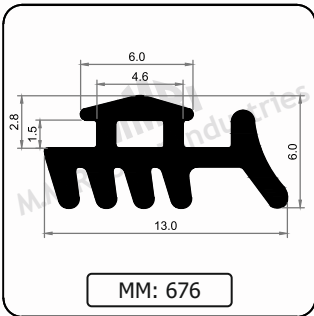
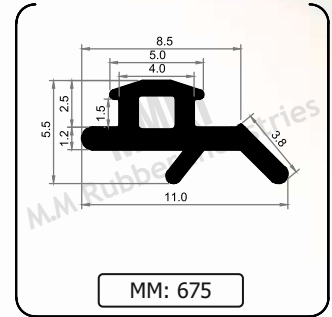
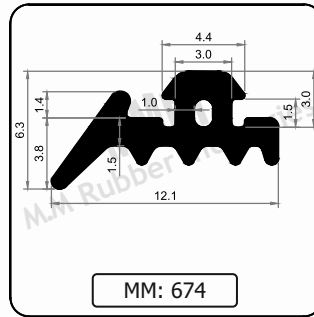
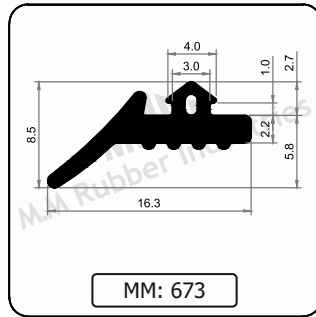
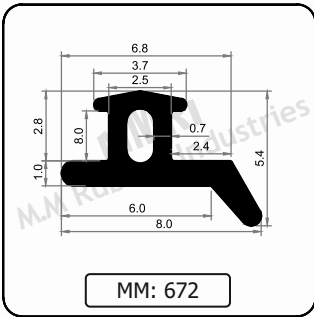
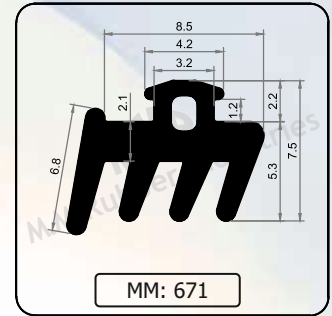
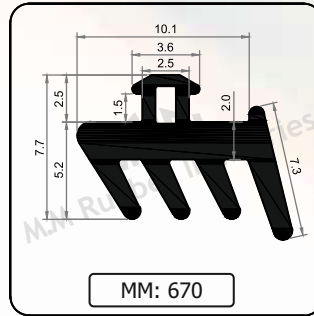
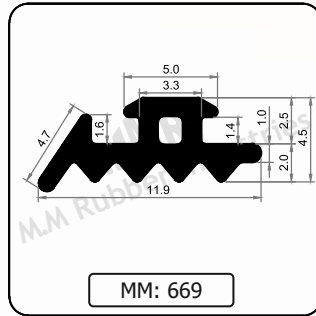
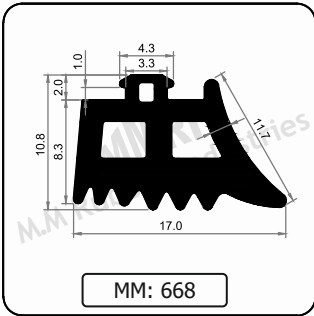


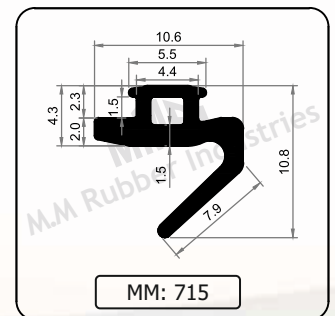
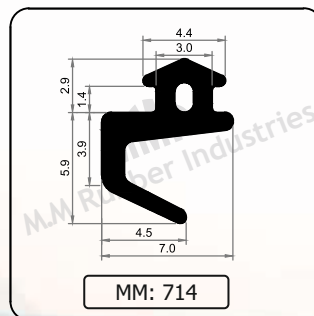
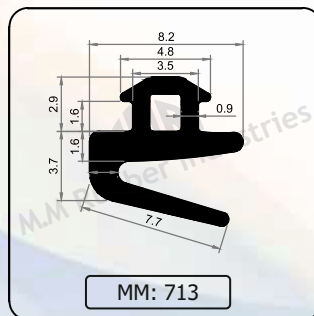
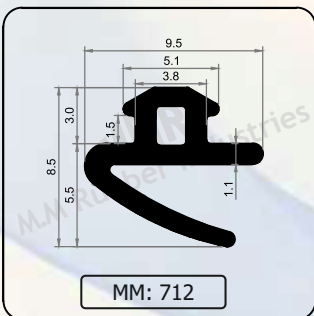
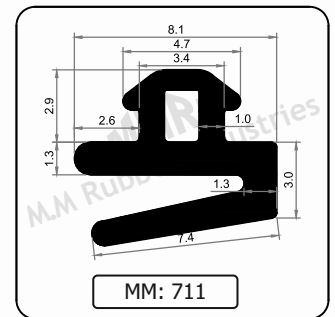
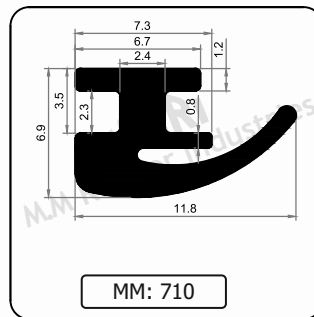
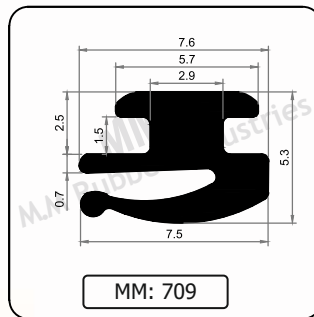
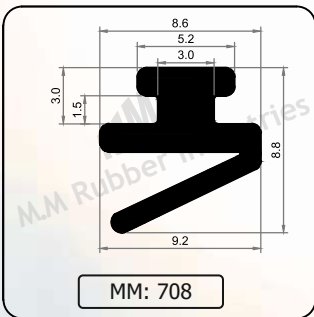
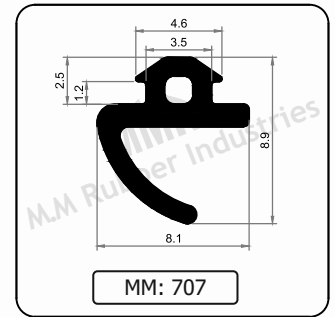
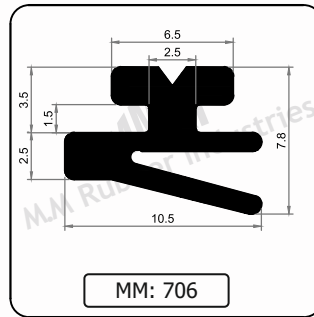
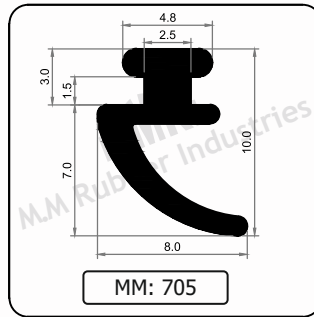
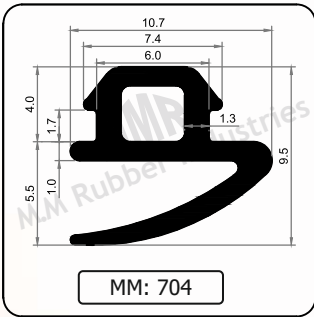
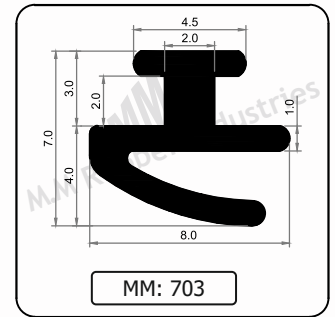
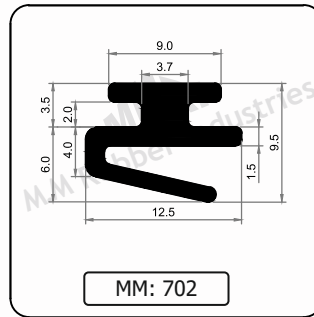
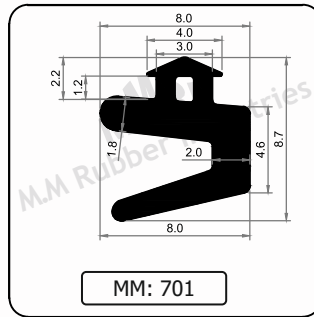
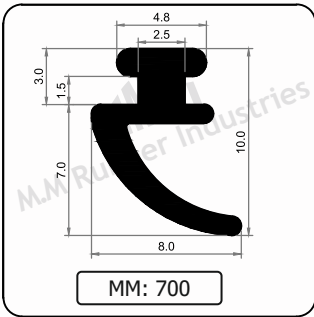
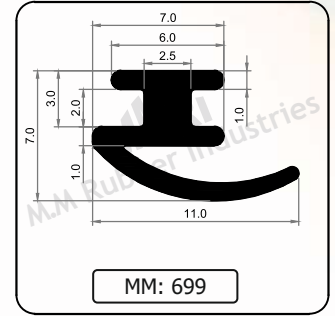
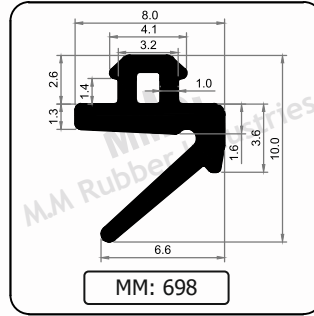
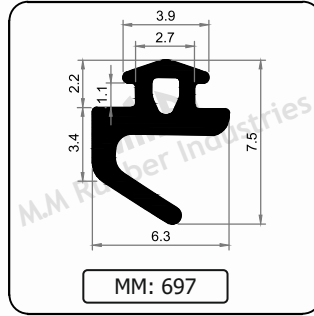
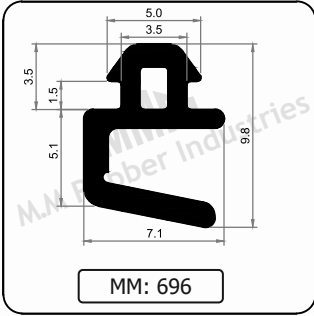
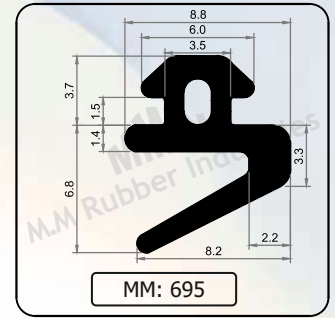
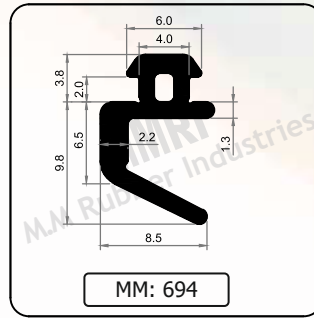
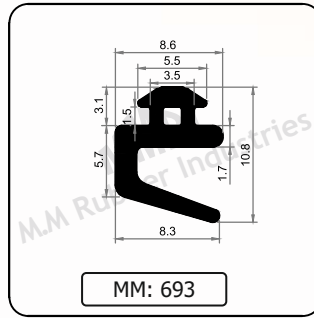
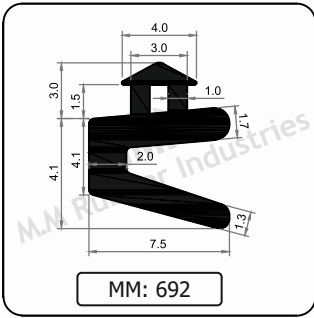


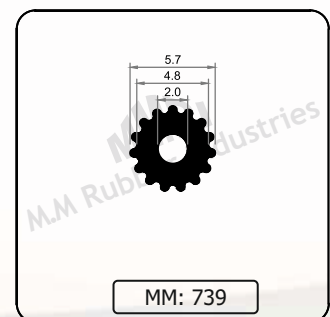
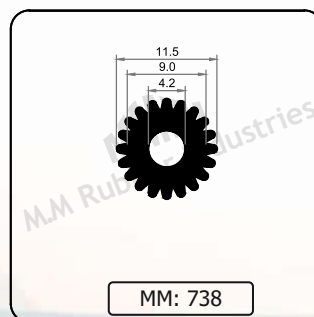
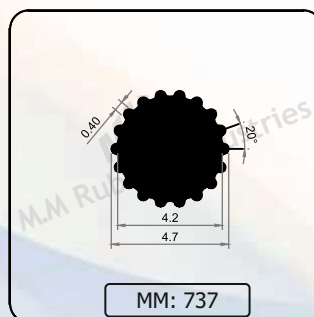
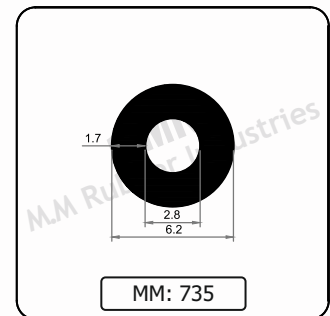
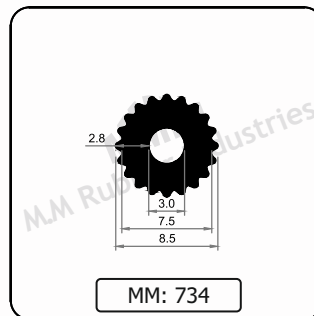
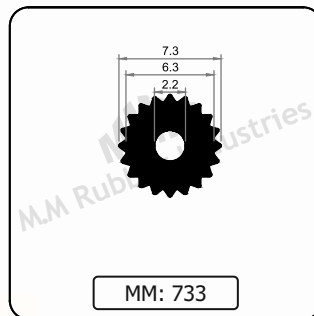
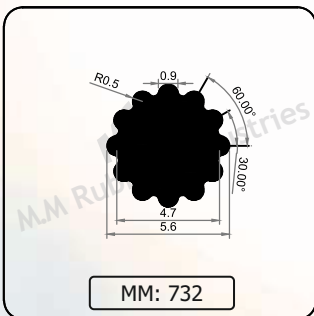
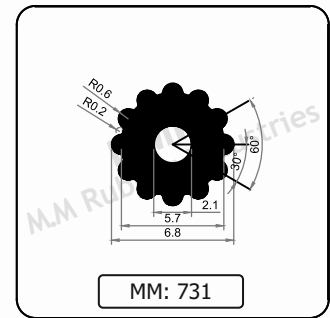
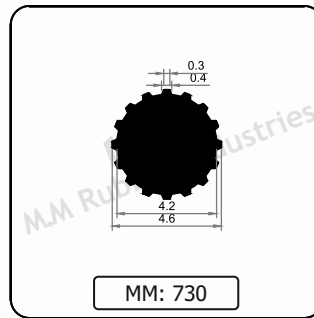
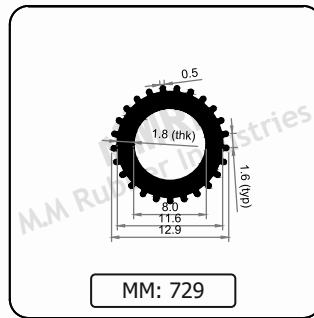
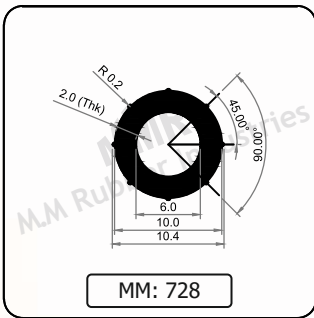
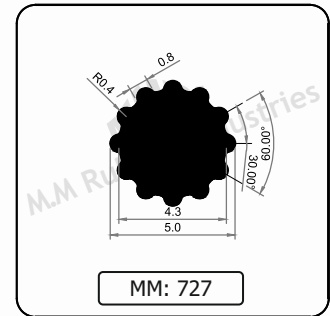
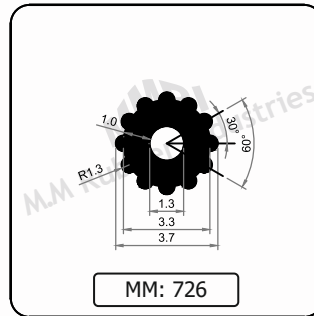
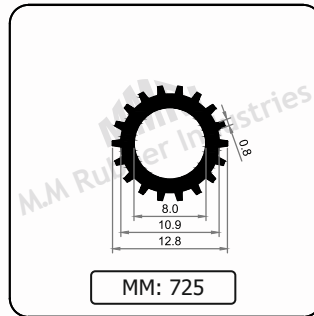
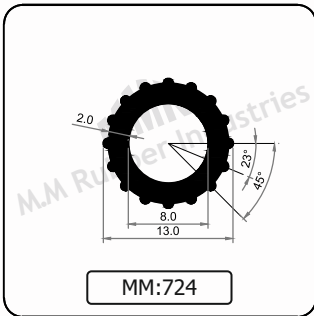
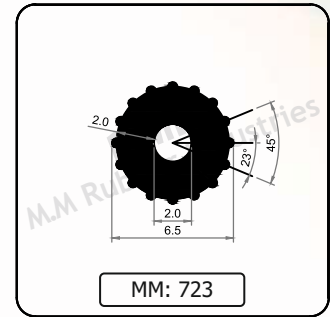
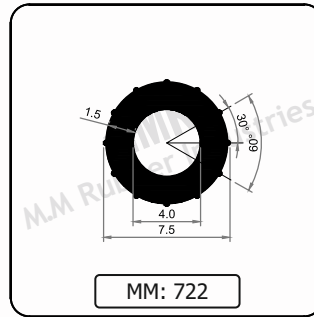
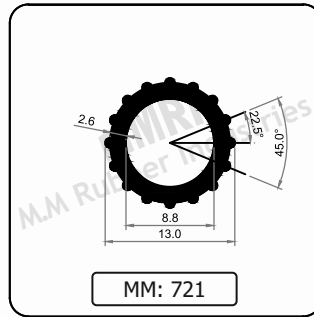
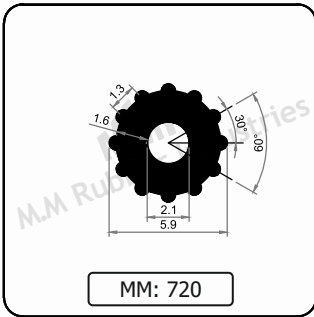
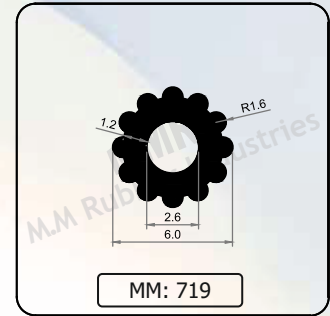
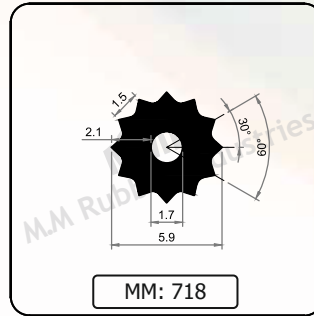
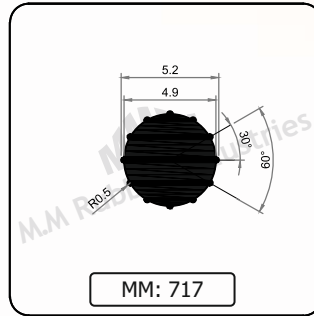
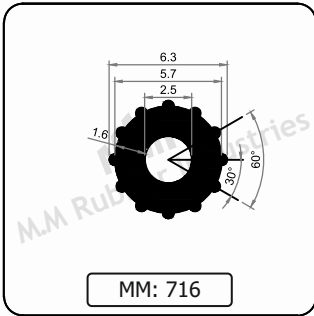


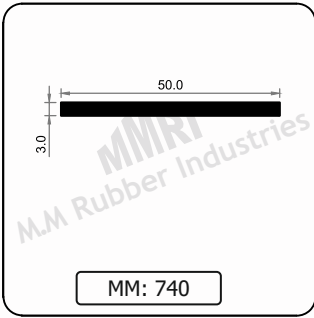




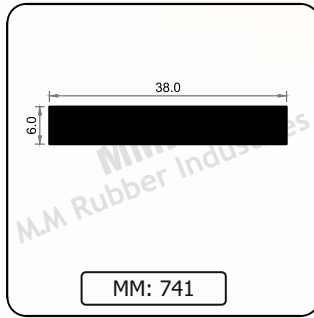




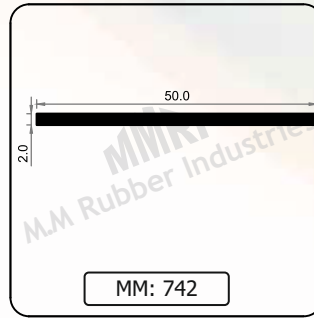




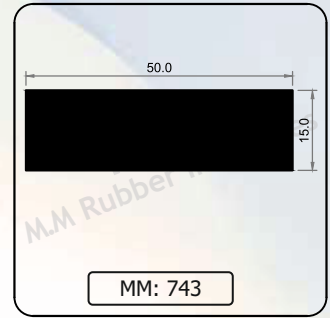
MM: 740



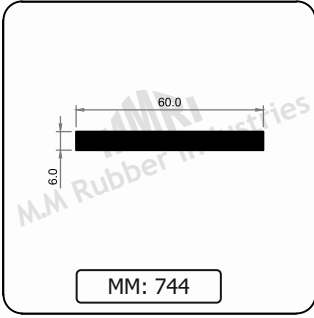
MM: 741



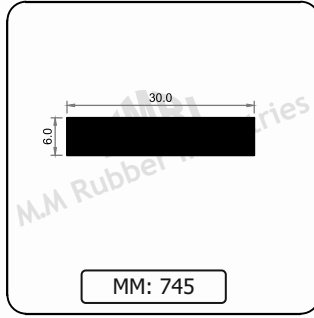
MM: 742



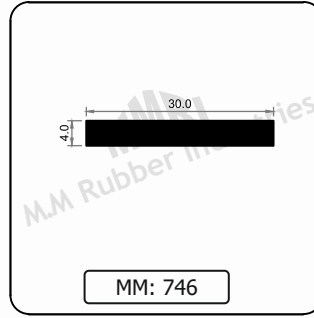
MM: 743



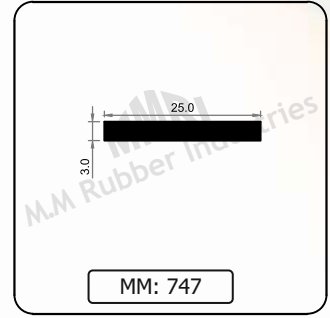
MM: 744



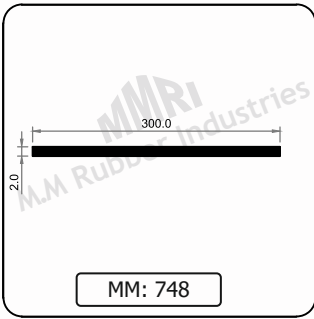
MM: 745



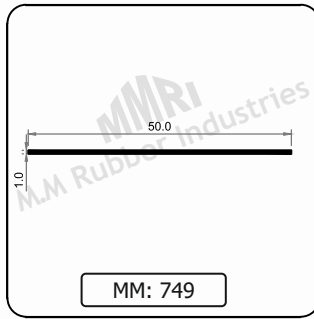
MM: 746



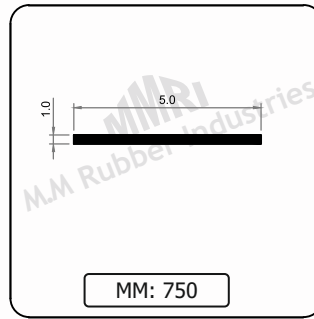
MM: 747



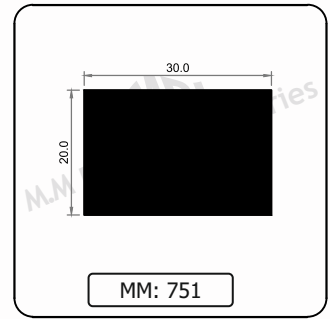
MM: 748



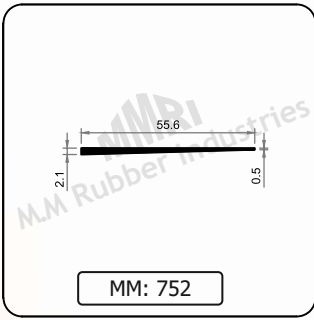
MM: 749



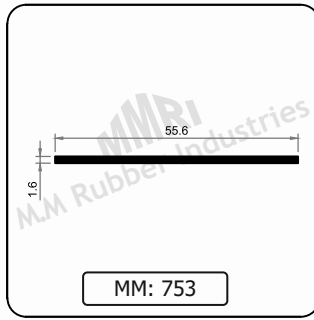
MM: 750



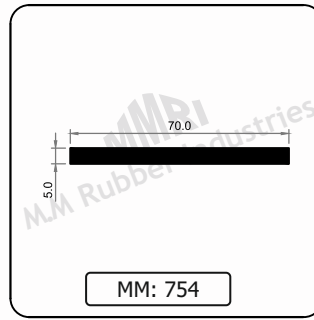
MM: 751



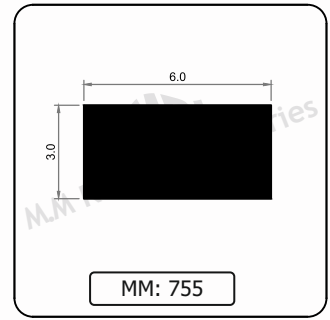
MM: 752



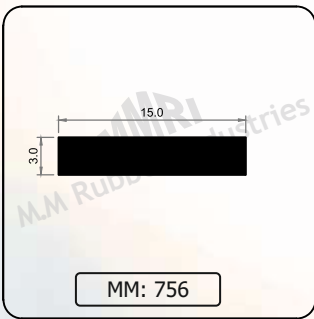
MM: 753



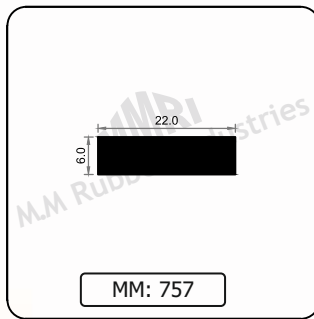
MM: 754



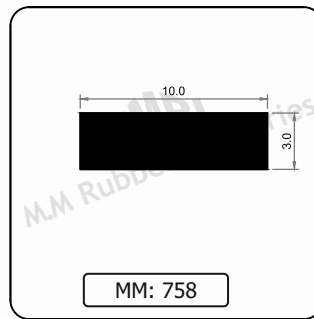
MM: 755



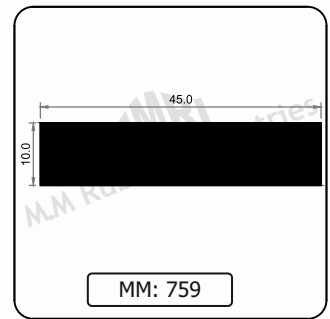
MM: 756



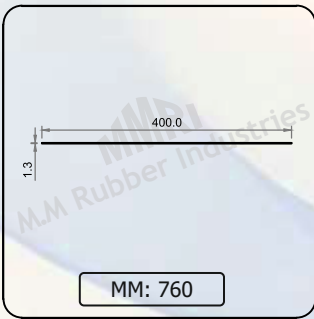
MM: 757



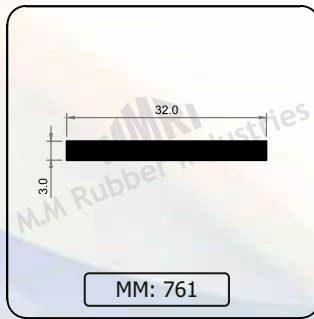
MM: 758



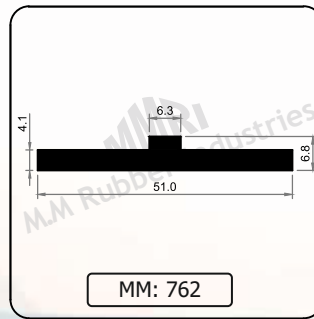
MM: 759



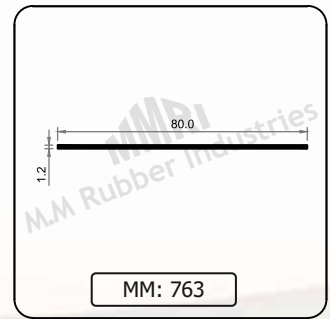
MM: 760



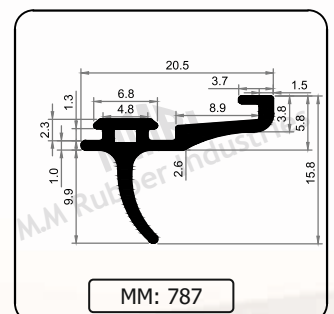
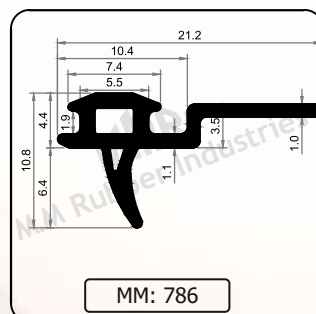
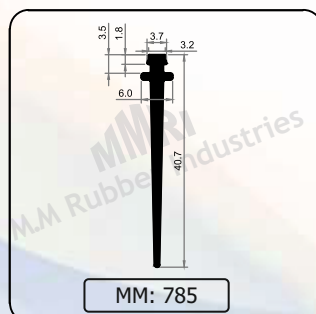
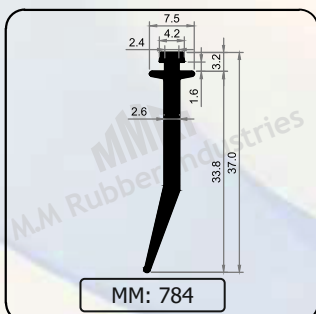
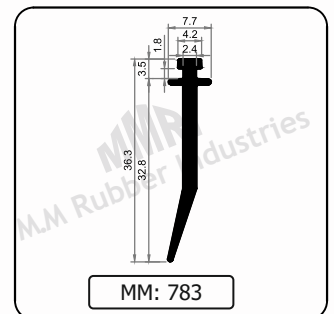
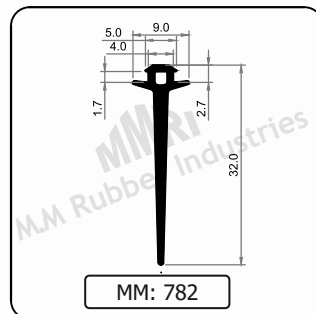
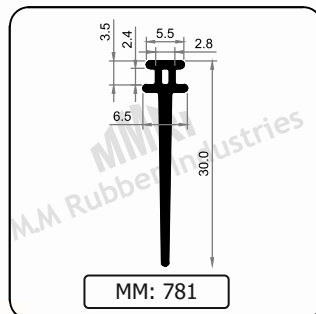
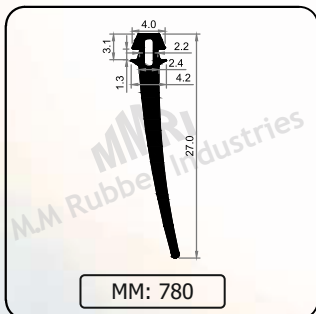
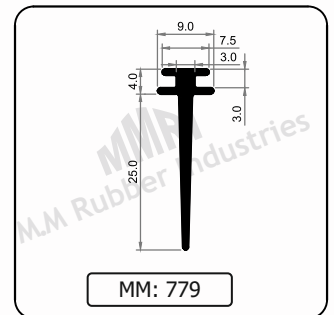
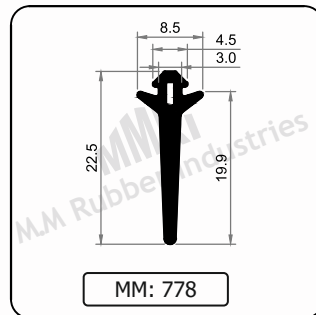
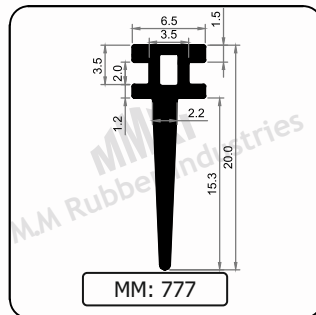
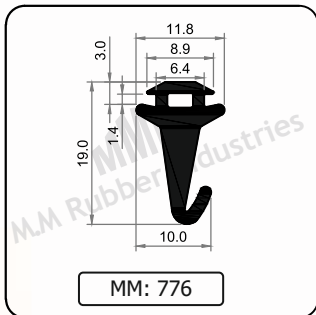
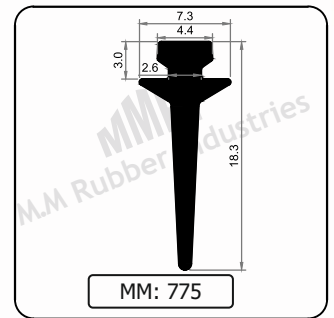
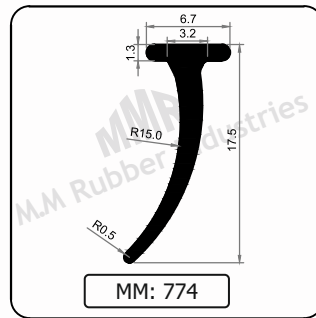
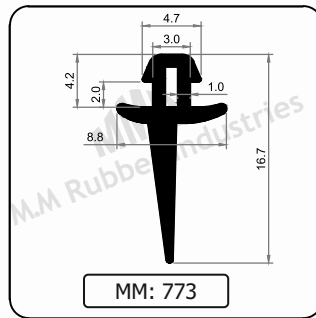
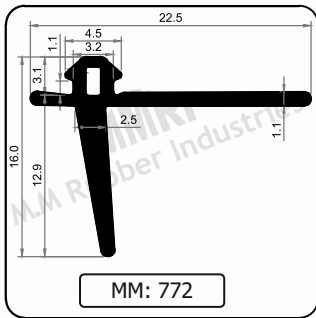
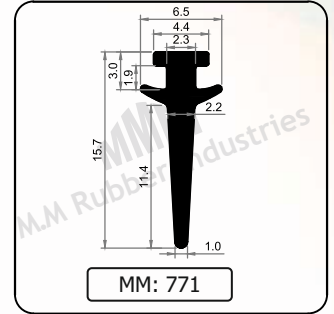
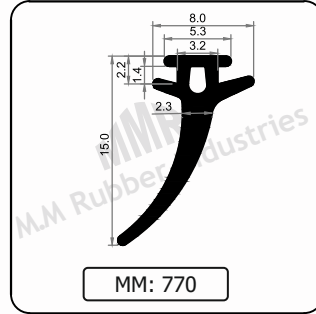
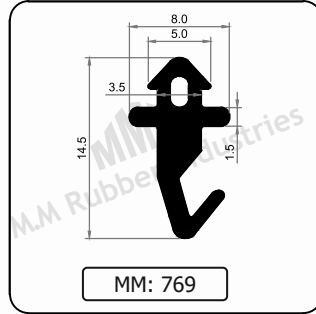
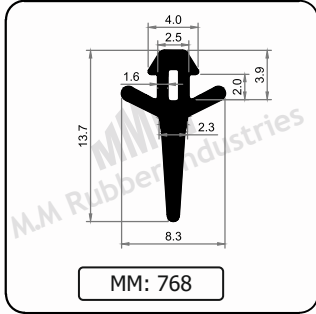
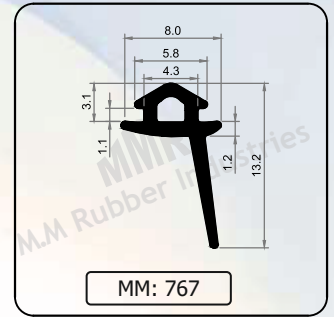
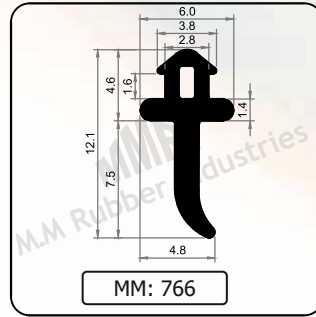
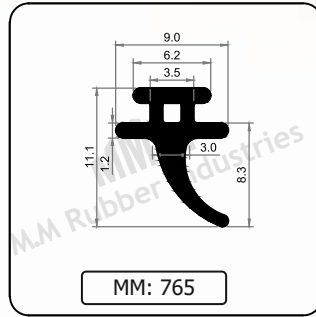
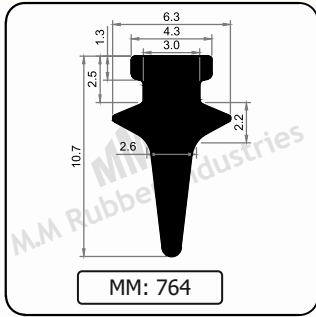
MM: 761

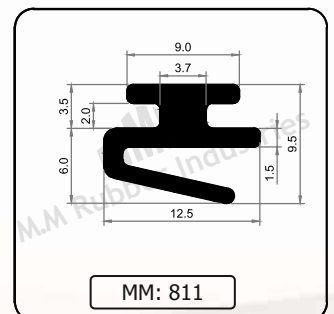
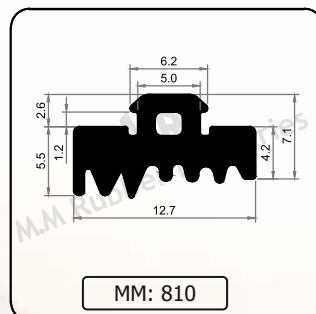
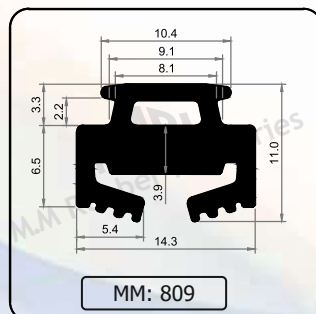
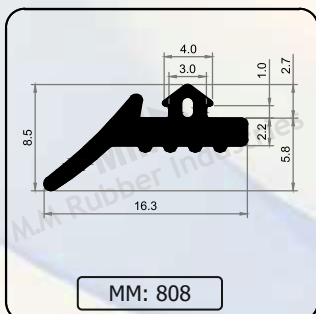
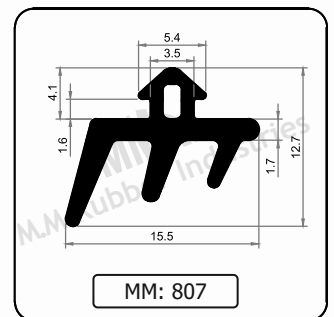
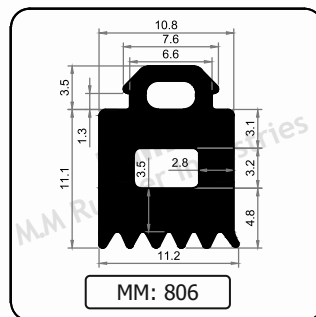
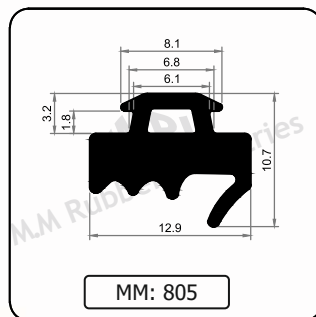
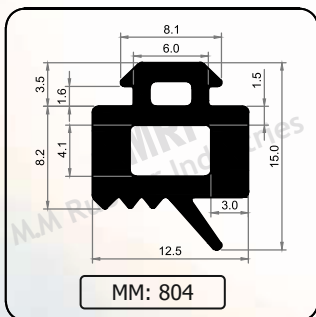
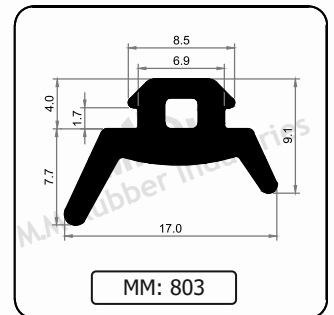
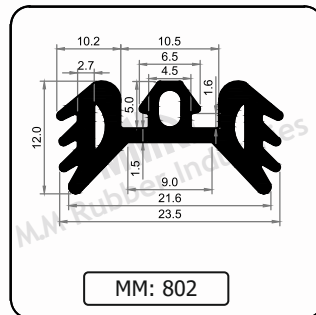
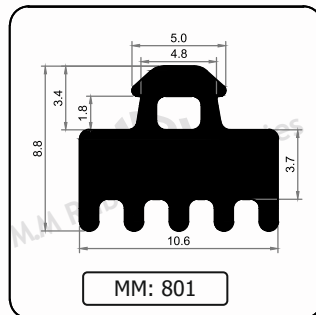
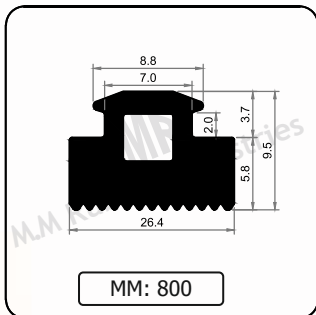
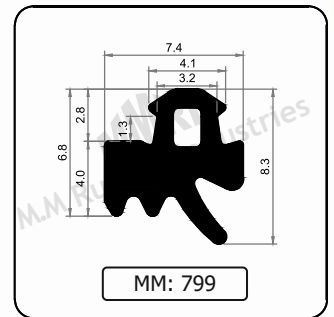
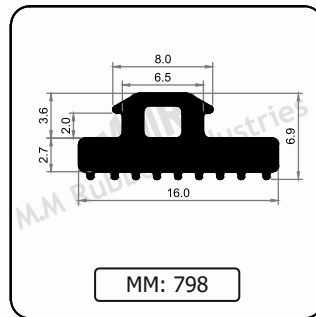
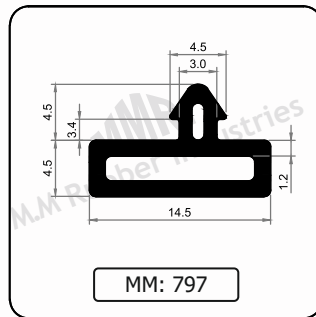
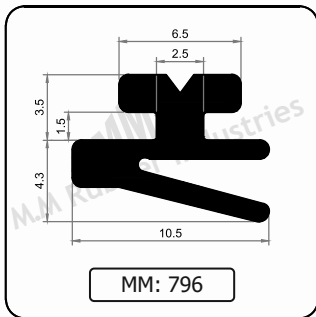
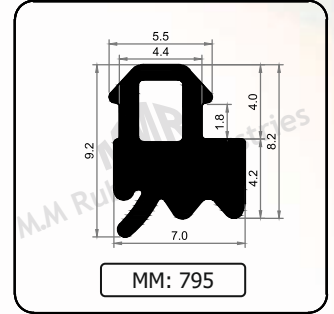
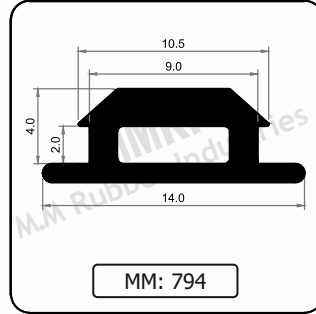
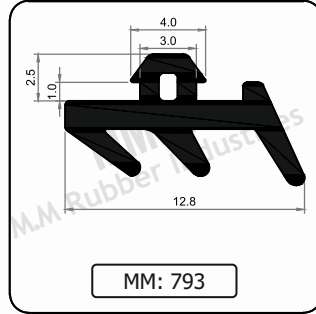
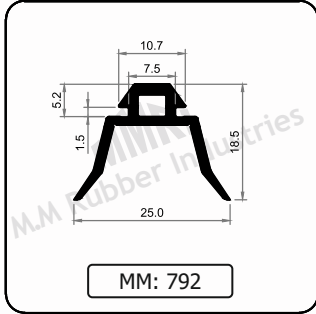
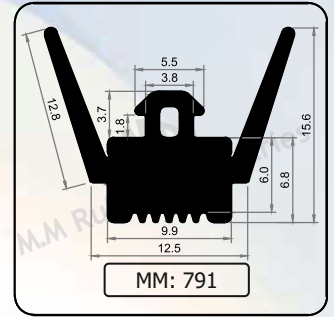
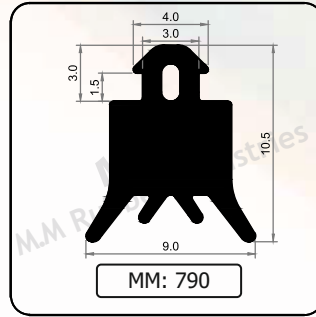
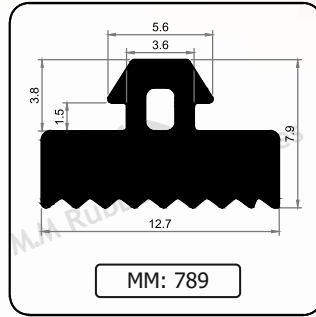
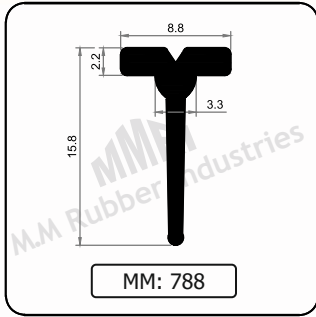


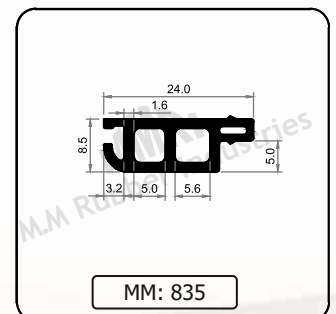
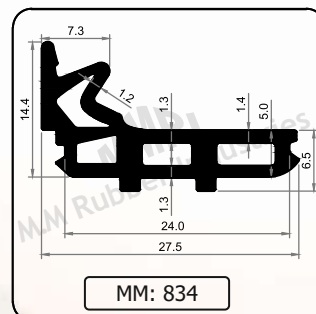
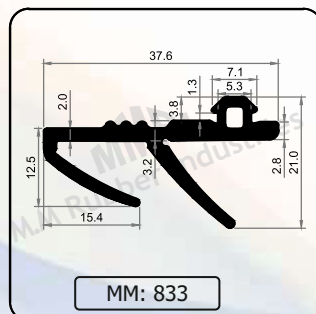
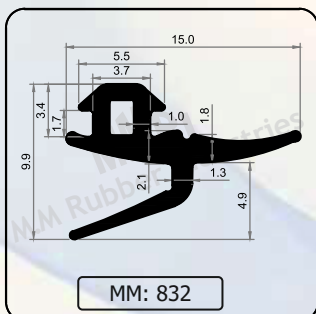
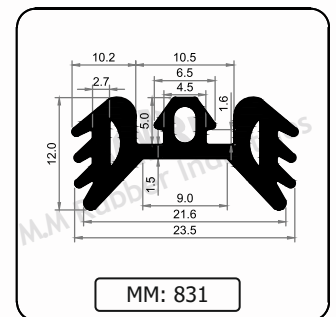
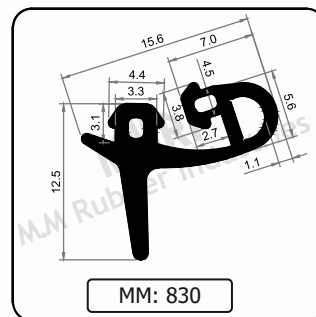
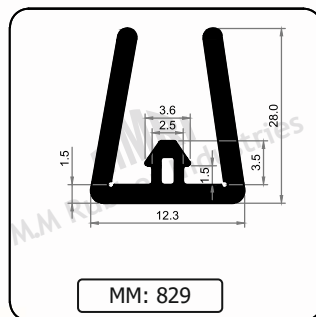
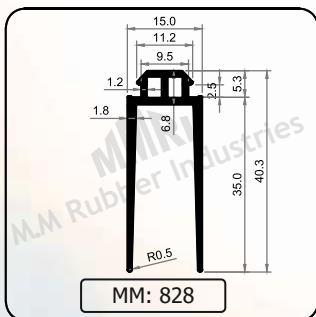
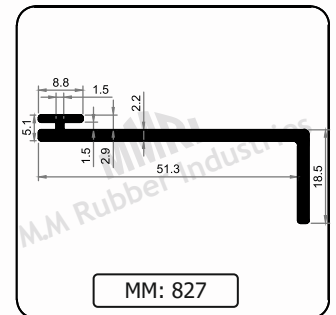
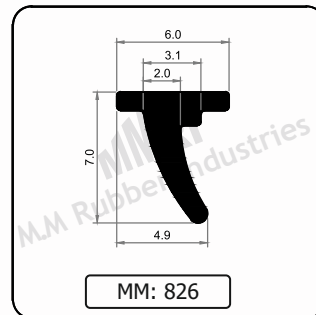
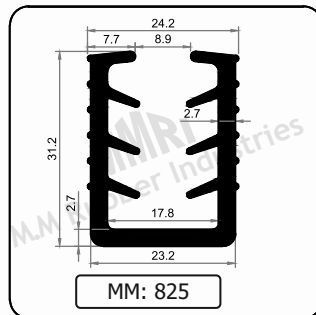
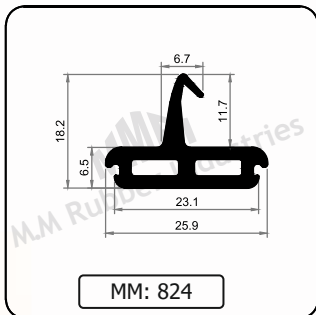
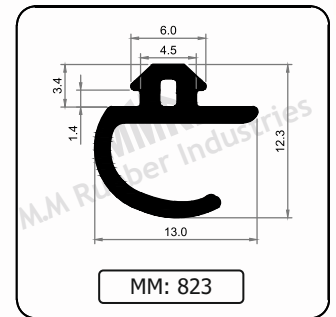
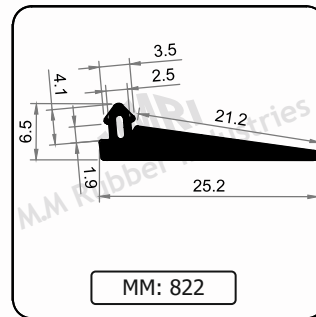
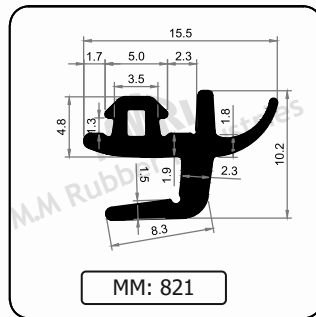
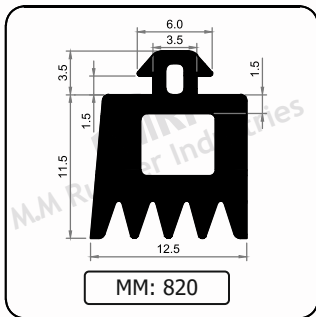
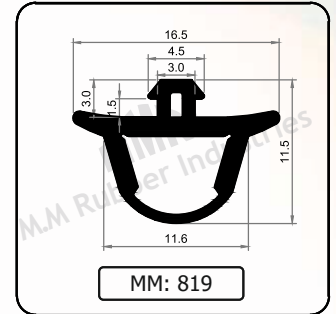
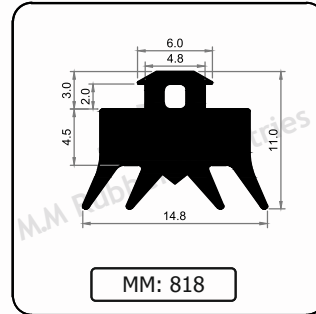
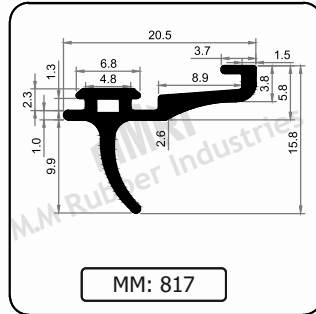
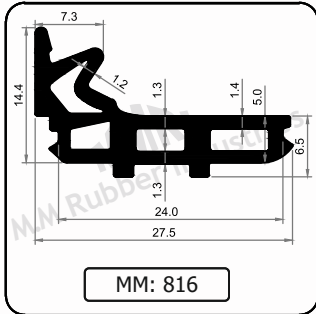
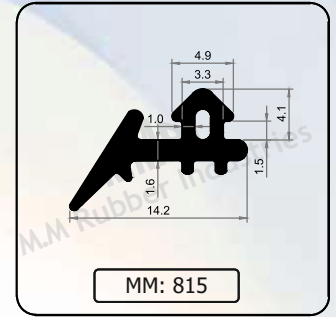
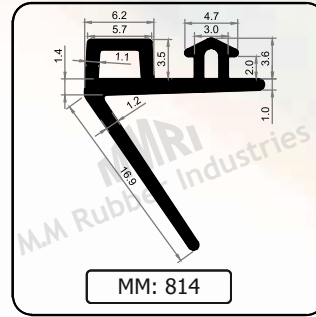
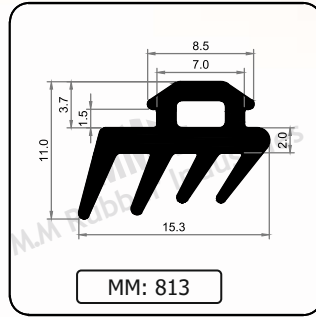
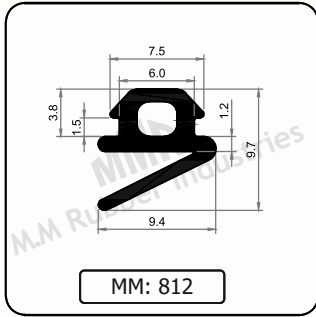
MM: 762

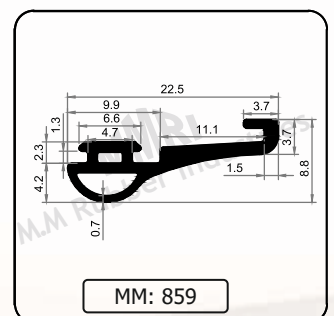
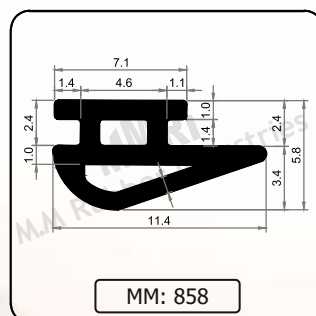
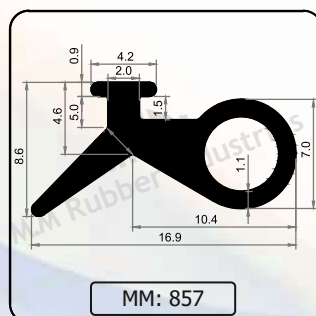
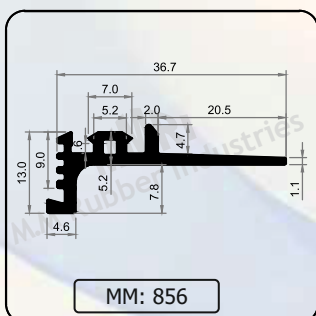
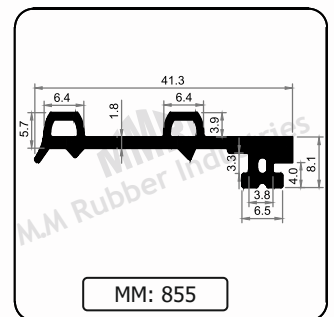
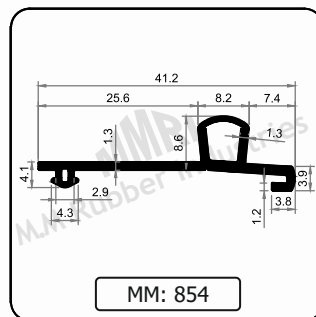
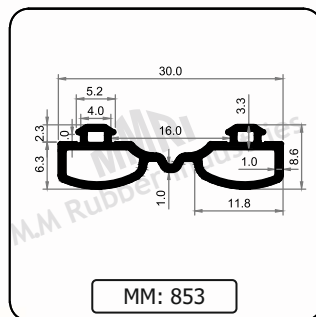
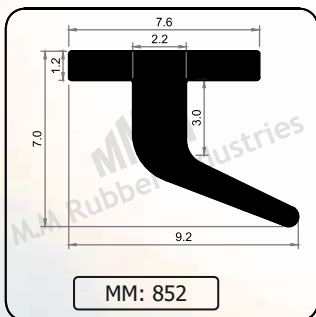
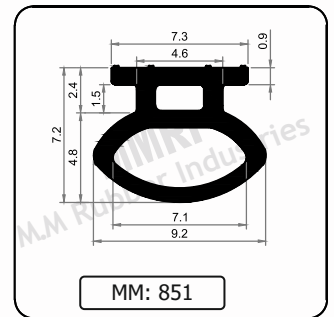
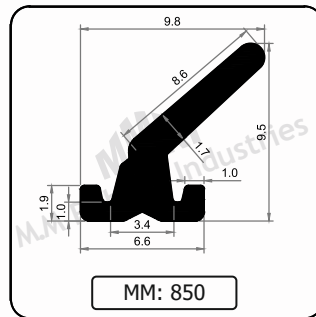
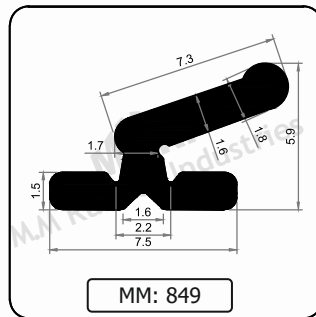
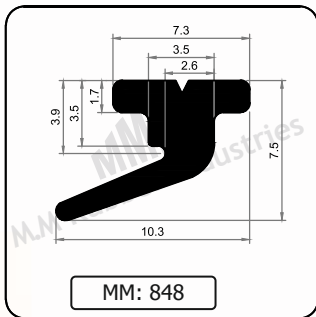
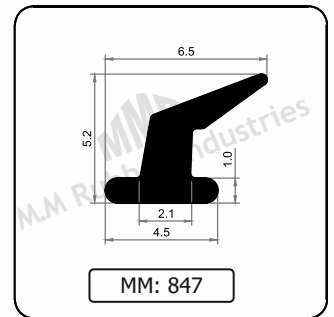
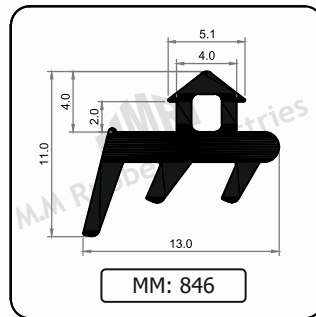
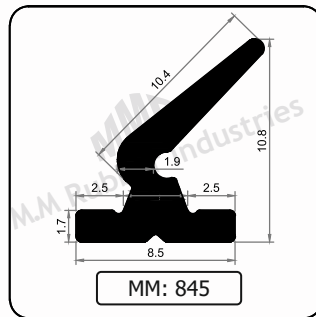
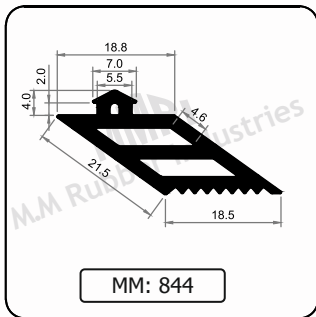
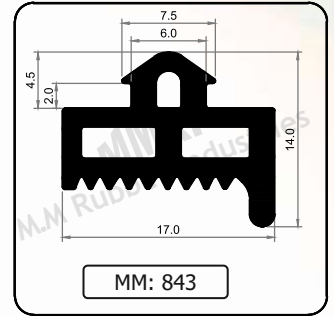
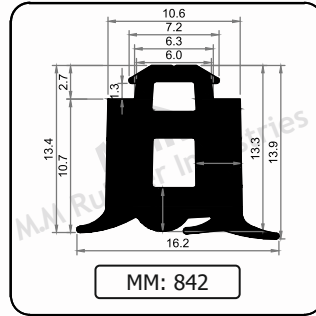
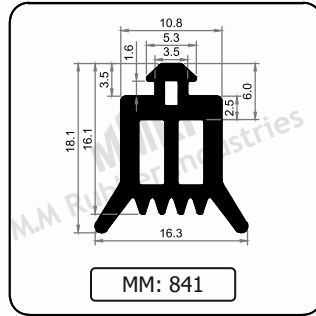
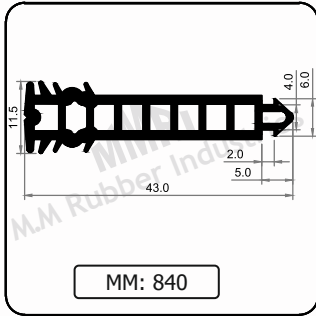
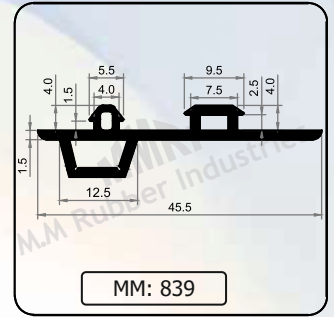
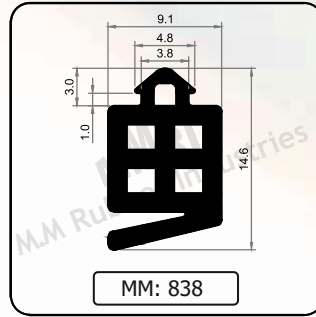
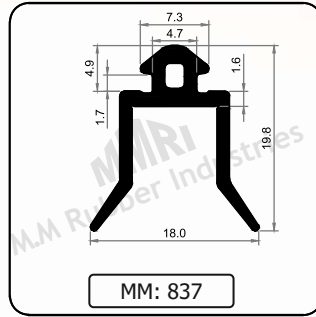
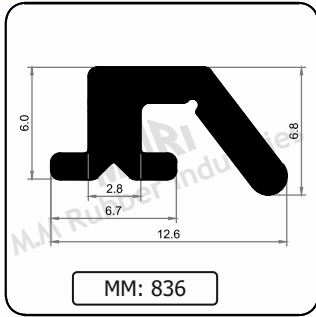


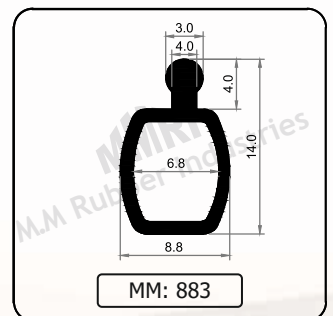
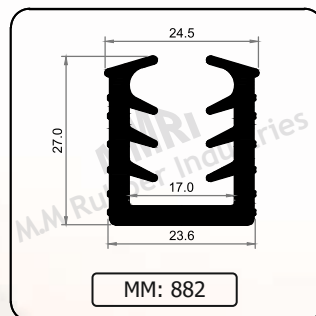
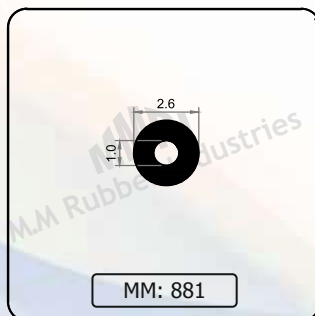
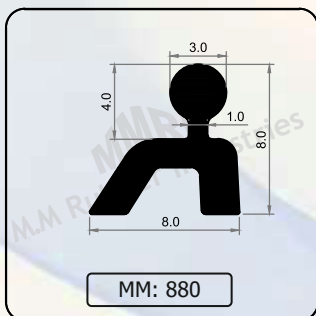
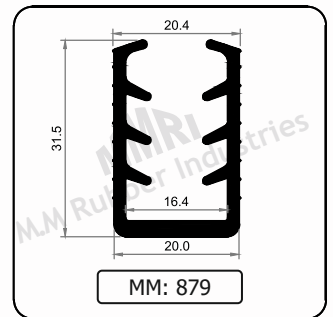
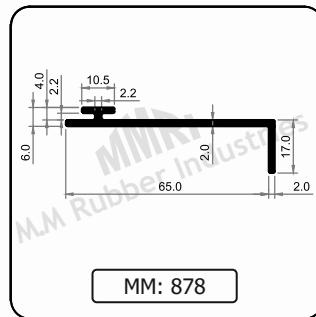
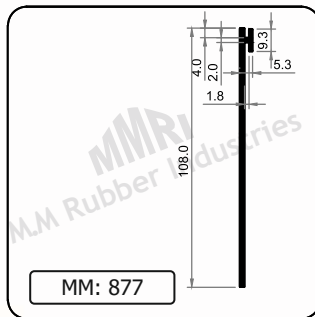
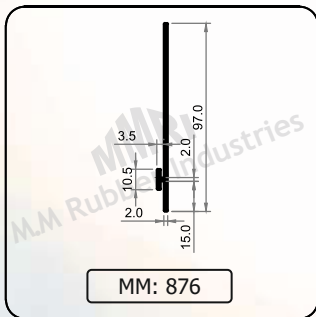
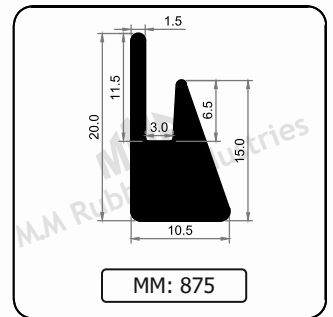
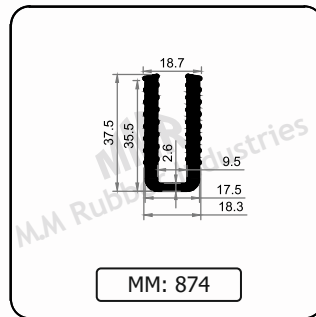
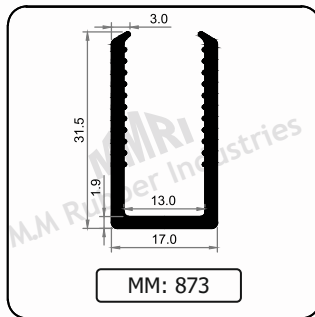
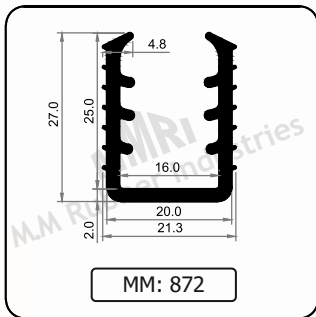
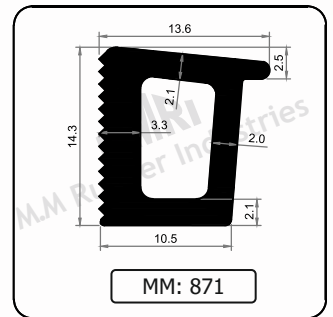
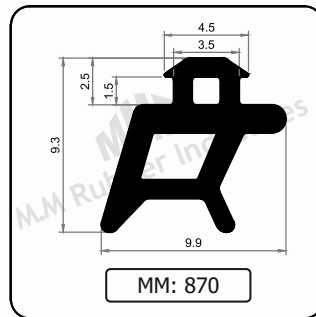
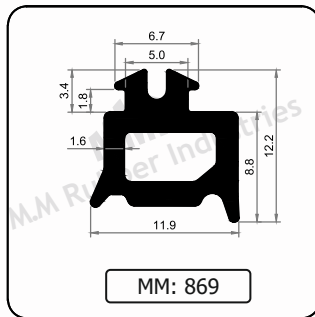
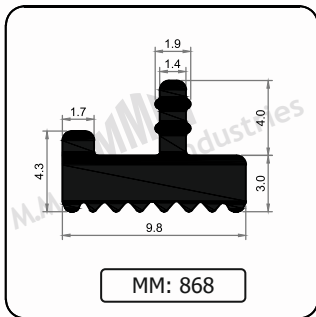
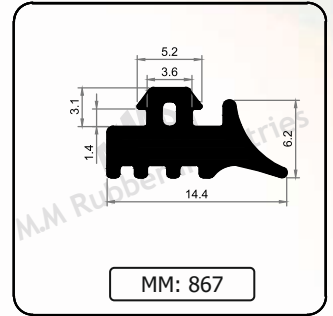
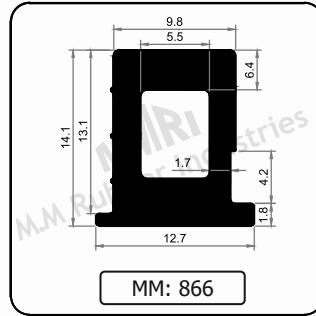
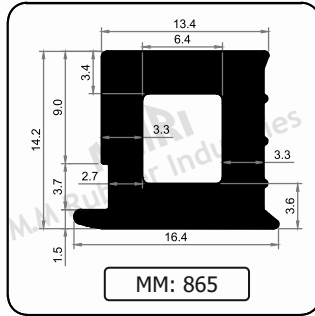
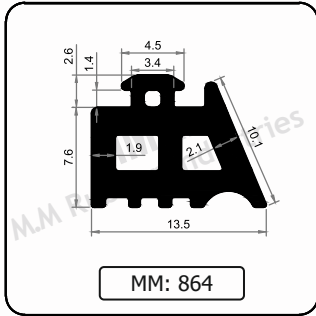
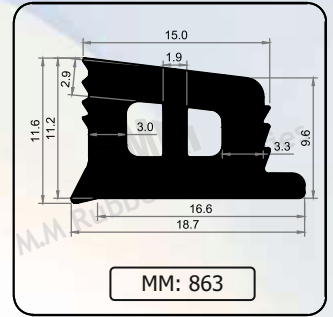
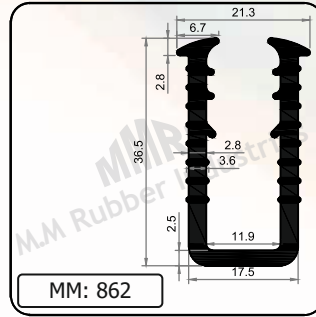
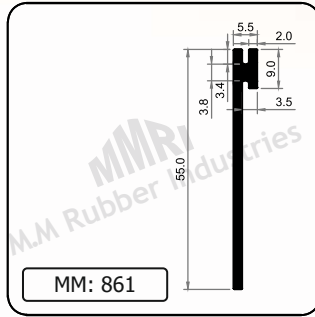
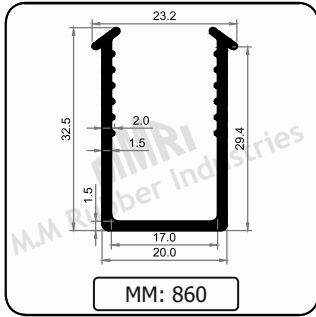
MM: 763

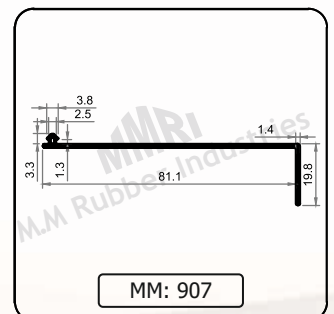
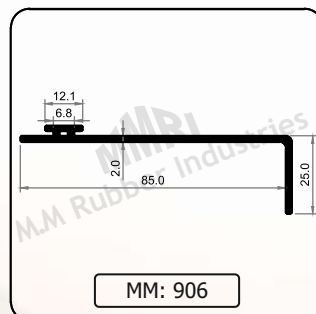
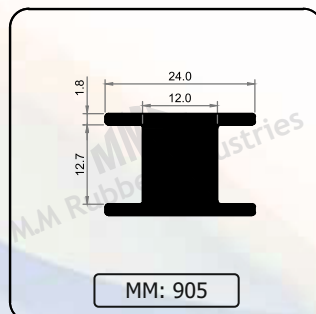
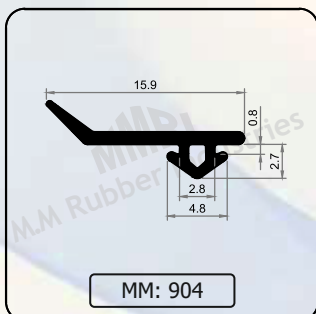
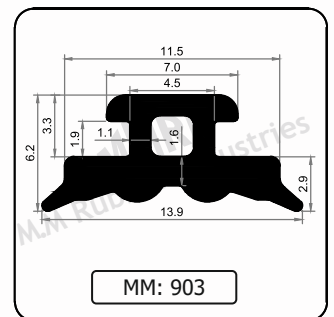
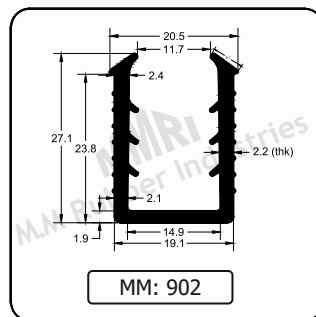
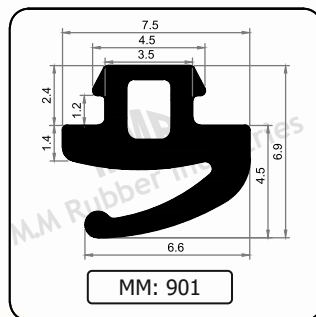
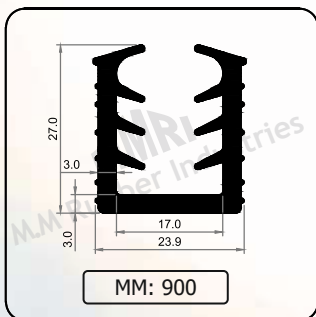
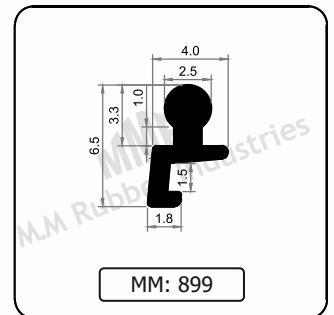
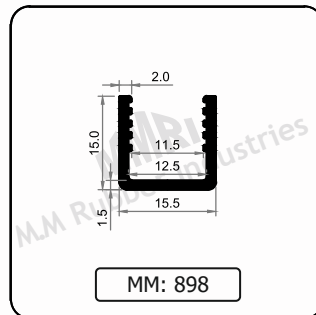
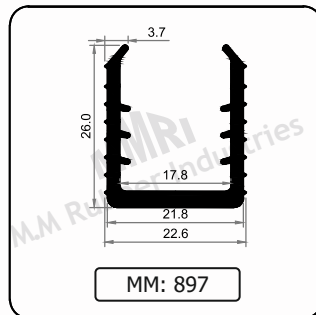
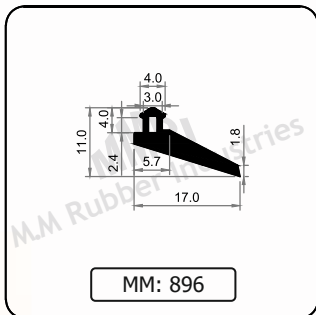
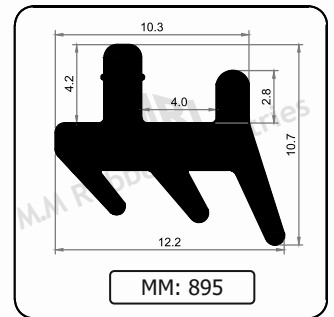
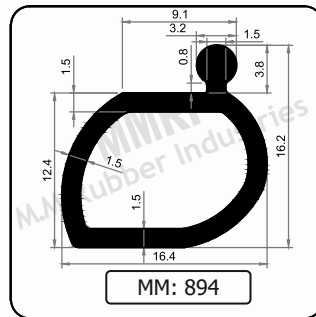
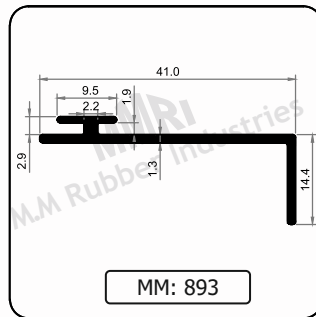
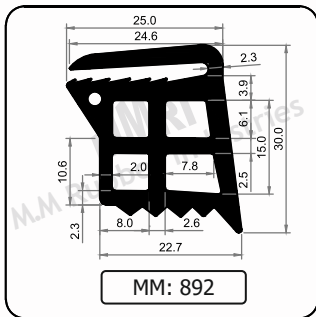
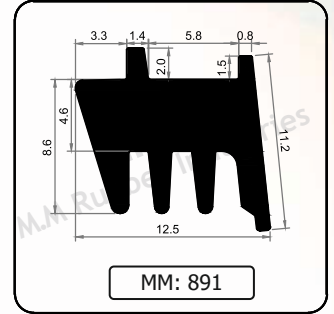
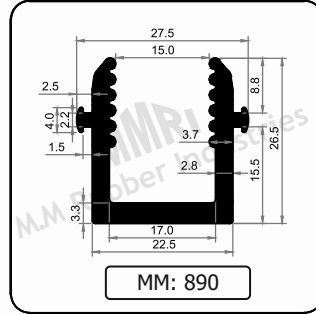
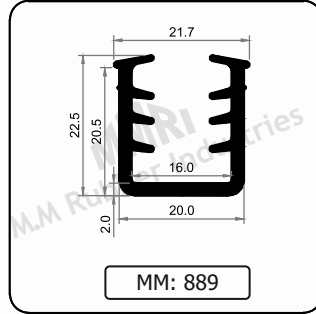
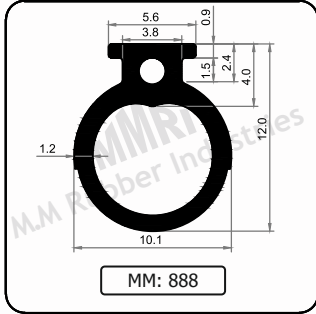
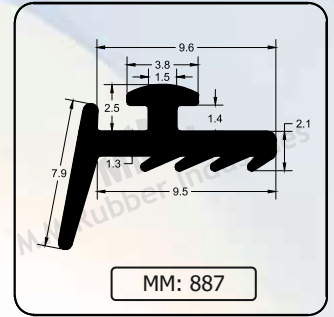
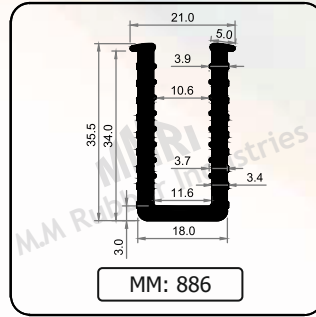
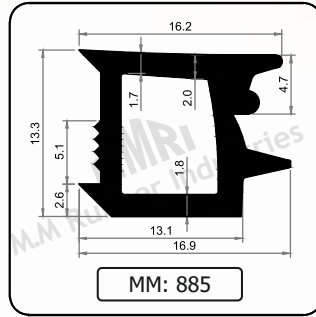
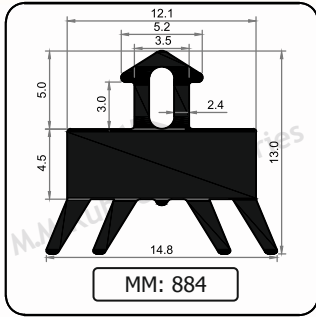


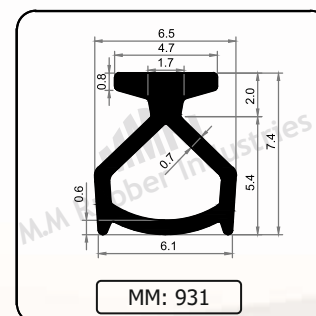
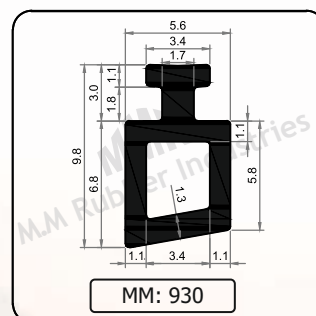
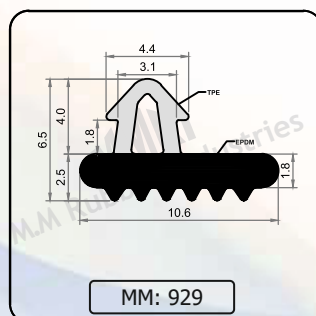
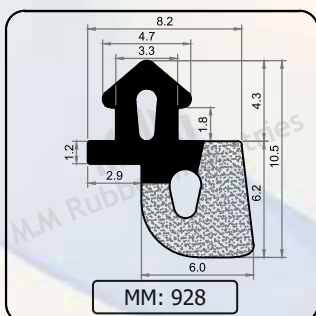
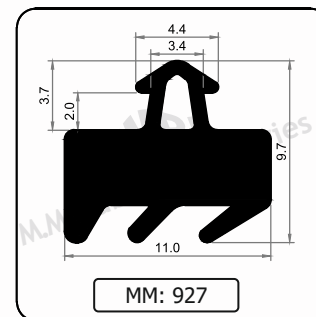
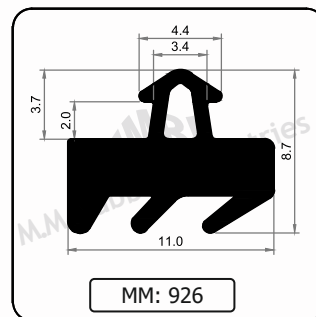
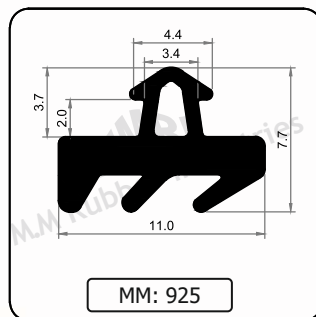
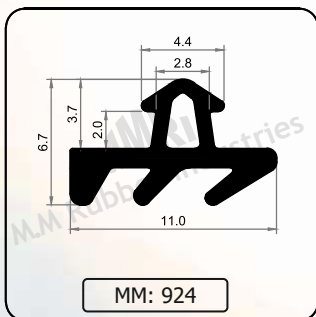
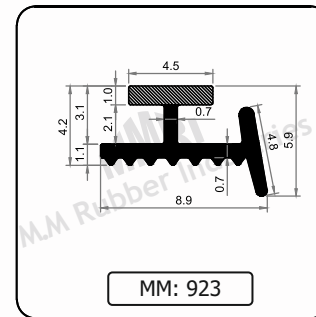
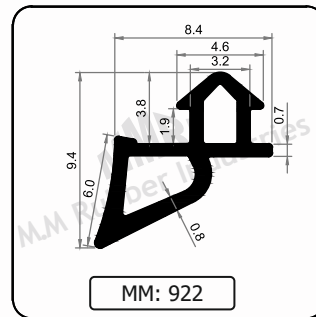
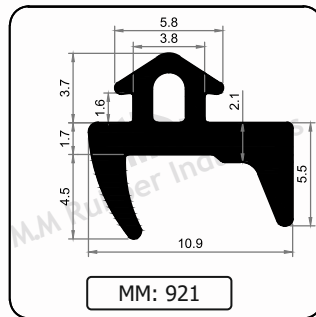
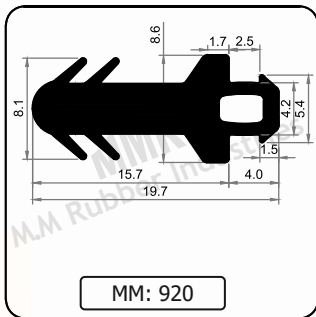
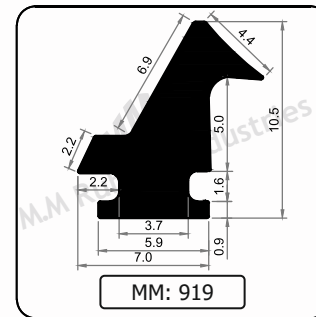
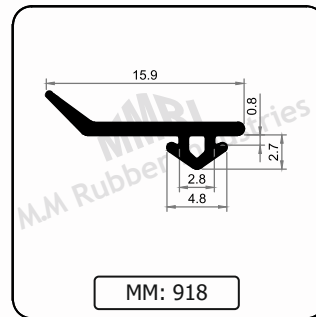
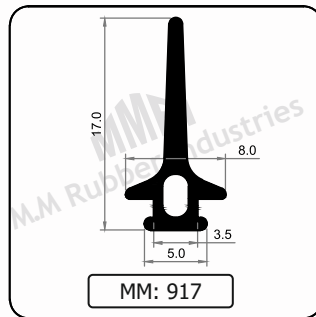
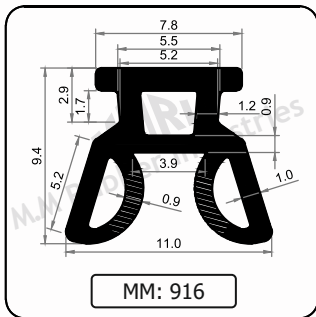
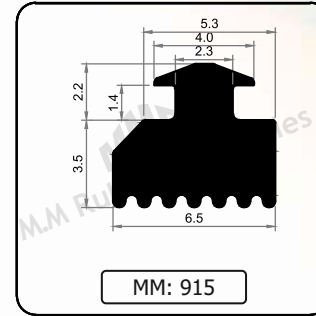
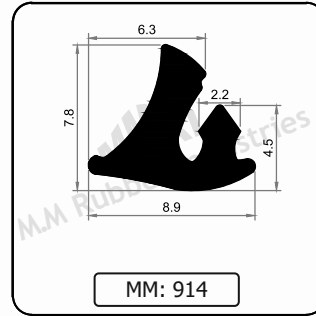
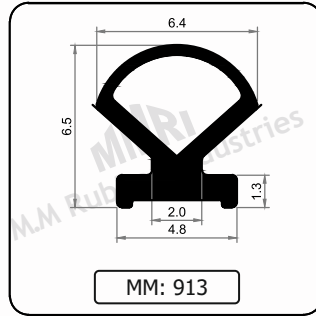
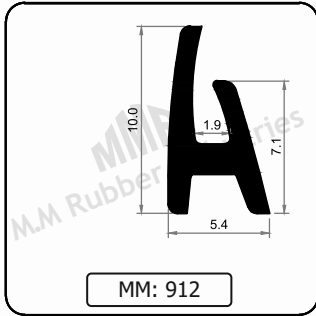
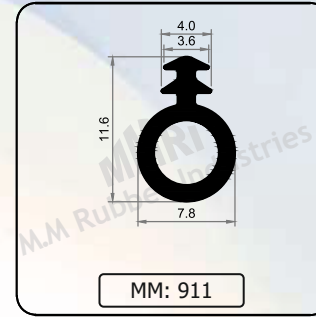
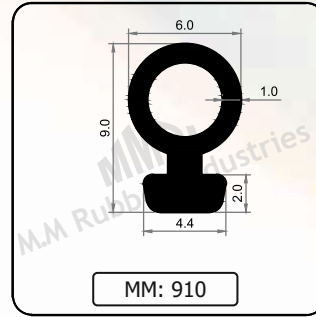
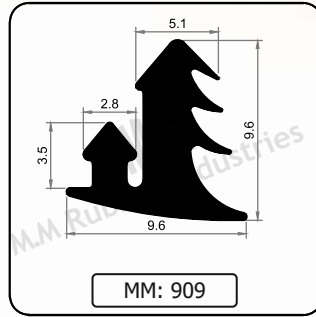
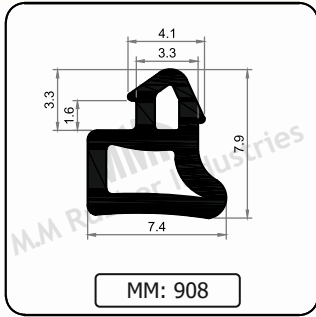


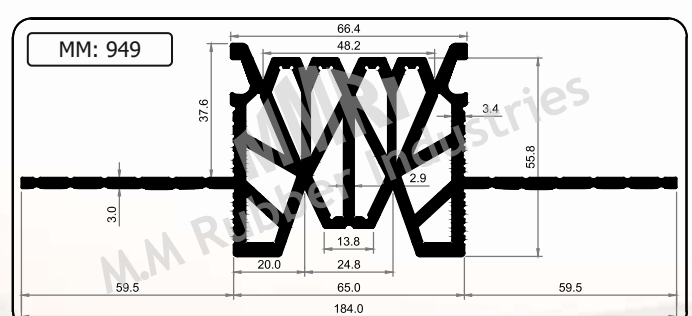
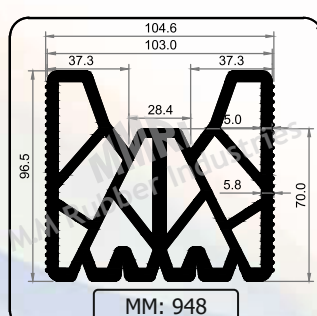
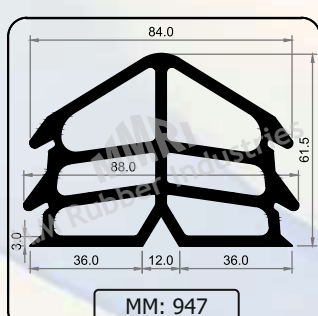
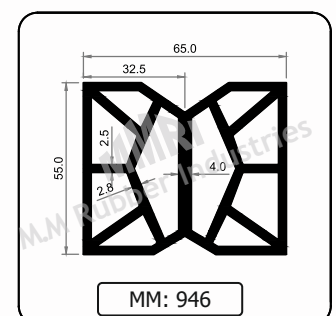
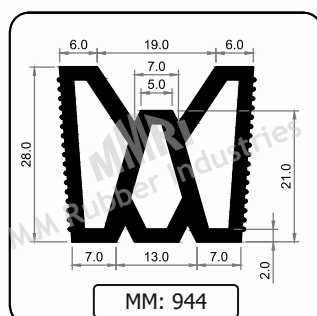
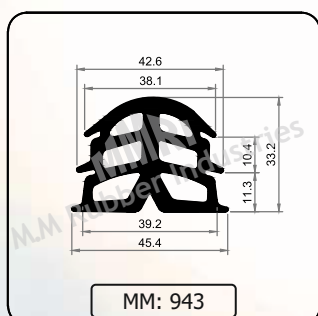
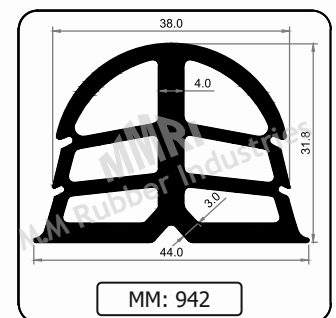
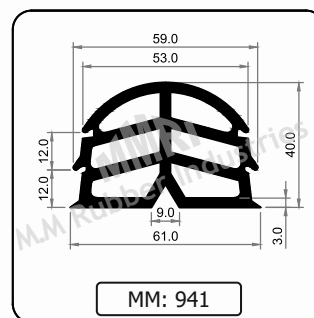
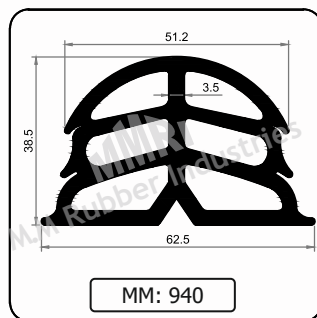
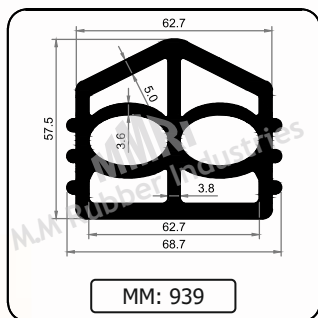
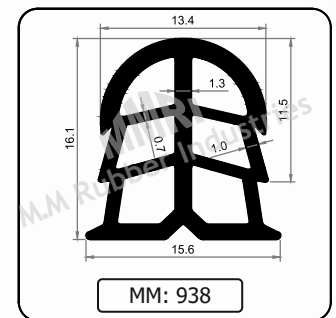
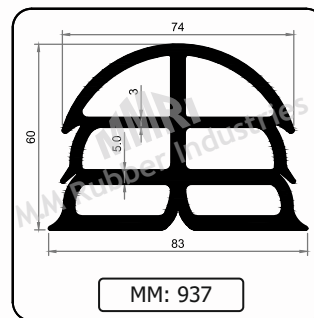
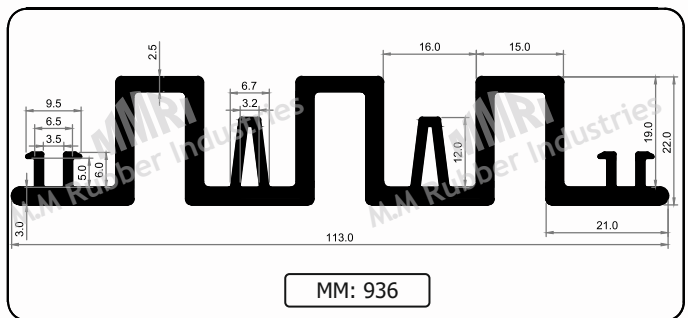
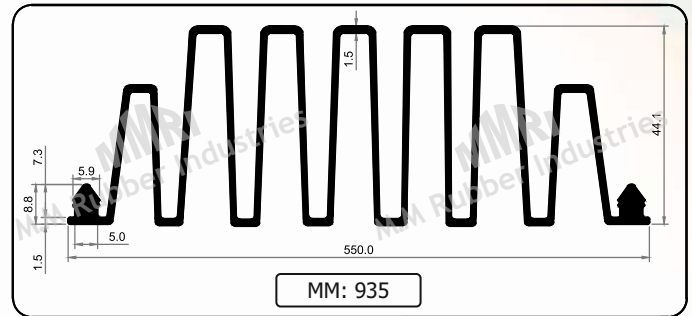
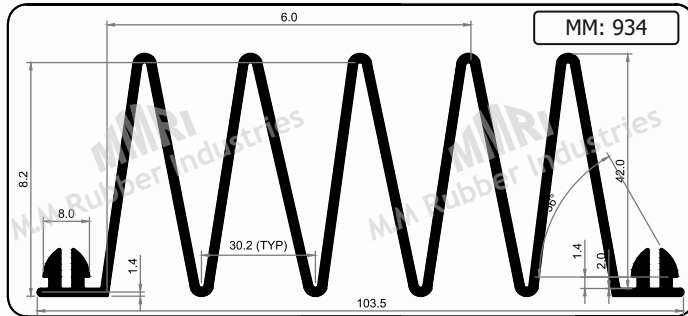
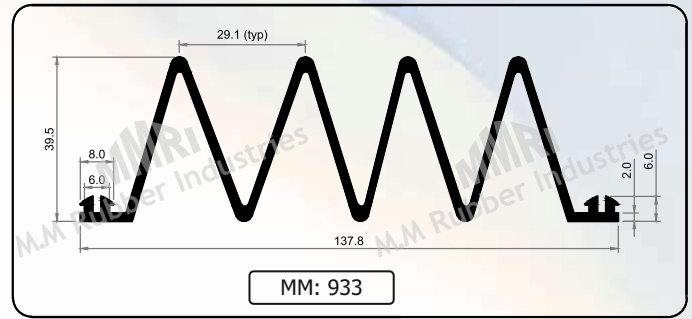
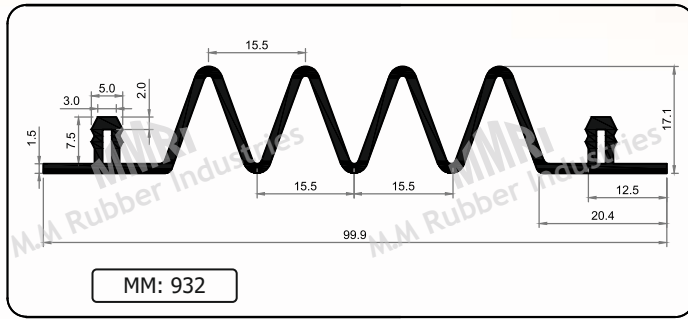












<u>MACHINE</u>	<u>QTY</u>
AUTOMATIC LINE	1
KNADDER	2
EXTRUDER	8
MIXTURE	3
GENRATOR	2

NOTE:- 2.5 TO 3 TONS PER DAY CAPACITY .

PIPELINE PROJECTS:-

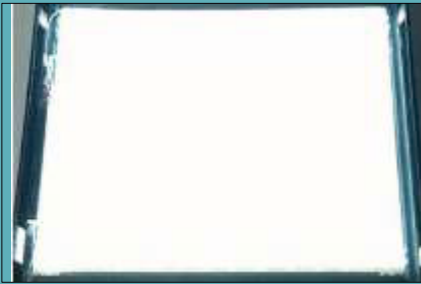
<u>MACHINE</u>	<u>QTY</u>
AUTOMATIC LINE	2
KNADDER	4
EXTRUDER	16
MIXTURE	6
GENRATOR	3

NOTE:- 5 TO 6 TONS PER DAY CAPACITY .



M.M. Rubber Industries

Leading Manufacturer of all Kind of Rubber Profiles and Gaskets



M. M. Rubber Industries

M.M. Rubber Industries, India

Sumit Batra (Marketing Director)

 Gali No 10, Near Government Dispensary,
Adarsh Nagar Ballabgarh

 +91- 9899600505, 9873238807

 www.mmrubberindustries.com